



Easy Features inside

2013

**CLEVER  
BUILT IN  
APPLIANCES?  
EASY.**

**ZANUSSI**  


## Let's make it simple

Different sizes, features, programmes... selecting the appliances that are right for you and your kitchen doesn't need to be hard. That's why we've created this easy guide. Just choose whatever you need to take care of your daily chores - reliably and in style naturally - so you can get on with the things you enjoy.

# 08

Ovens	13
Microwaves	25
Hobs	37
Hoods and Splashbacks	63
Range Cooker	77

# 80

Fridge-freezers	85
In-Column Fridges and Freezers	89
Under Counter Fridge and Freezers	93
How they compare	95

# 99

Full Size Dishwashers	105
Slim Dishwashers	108
Compact Dishwashers	110
How they compare	111

# 115

Washing Machines	121
Washer Dryers	122
How they compare	123

COOKING

COOLING

CLEANING

WASHING



# **GREATER FREEDOM? EASY.**

Everyday chores. No hassle. More time for living. All yours. Zanussi appliances give you an extra pair of hands around the home, so you can enjoy doing the things you really love. Simple to use and easy to maintain, our appliances do the hard work for you. Day in. Day out. All wrapped up in exquisite design, as you'd expect from our Italian heritage. Take our new Quadro™ range...

# EVERYDAY CLEVER APPLIANCES? **EASY.**

Introducing our new Quadro™ range. We've done the homework so you can spend less time on the housework.

## **Easy choices**

One button and your oven cleans itself, your hob heats up faster, your dishwasher selects the ideal cycle... You'll also find fridge freezers with family-sized storage.

## **Easy use**

The new Zanussi Quadro™ sees life from your perspective, from clearer graphics on screen to controls that are easy to use.

## **Easy fit**

Sleek and modern, the new Zanussi Quadro™ has the looks to match, blending into any kitchen design.





# EASY COOKING

---

Choose the oven that's right for you and pair it with one of our latest hobs. You can even add a stylish hood to complete the look.

---

Single Ovens	13
Built-In Double Oven	19
Under Counter Double Ovens	20
Microwaves	25
How They Compare	31
Hobs	37
How They Compare	57
Hoods and Splashbacks	63
How They Compare	73
Range Cooker	77
How They Compare	78

---

# OVENS MADE EASY.



## CATERING FOR MANY

### LARGE CAPACITY OVENS

#### How big are they inside?

Extra large. Internal capacity ranges from 70 to 74 litres, which is among the largest out there.

#### Can they cook more in one go?

Yes, such as a roast chicken and a leg of lamb at the same time. Or up to three large pizzas. And with the largest baking tray (25% bigger than standard), you can also bake more at once.

#### How flexible is the space?

Choose from up to five shelf positions with excellent cooking on each level.

#### What about double ovens?

Two cavities provide you with more space and give you the option to bake and grill at the same time.



## ENERGY EFFICIENT

Our new Quadro™ ovens have an outstanding A-10%\* and even A-20%\* energy rating.

\* 10% more energy-efficient compared to the limit of energy efficiency class A (1 kWh) following EU Directive 2002/40/EC.

\* 20% more energy-efficient compared to the limit of energy efficiency class A (1 kWh) following EU Directive 2002/40/EC



## AVOIDING ENDLESS CLEANING

### EASY CLEAN OVENS

#### Does that mean no scrubbing?

Yes, take your pick from our range of easy maintenance ovens.

#### What are my choices?

Choose from easy to clean enamel, a catalytic oven - an aid to cleaning that oxidizes grease and residue, or even Pyrolytic self cleaning.

#### Will Pyrolytic cleaning really do all the work?

Yes, select the 'pyro' function and the oven heats up to a very high temperature, leaving a fine ash that can be easily wiped away. For safety, the door will lock whilst self-cleaning. No cleaning agents are needed and, with some models, you'll even get a reminder to run the programme.



## CREATING QUICK, TASTY DISHES

### CONVENIENT COOKING FEATURES

#### Can it cook the perfect pizza?

Easily, with a dedicated programme. The oven will automatically warm up to the ideal temperature and heating conditions for baking pizza. The result? A crisp base with perfectly melted toppings, every time.

#### Are there any features to help cook meat?

Our ovens have a clever function, which combines the full grill with the fan element. This is ideal for cooking meats of all kinds and cuts, with delicious results.

#### Can I cook on more than one shelf?

With Thermaflow® you can cook on up to 5 shelves with no transfer of flavour from one dish to another. Lower cooking temperatures and shorter cooking times helps save time and money.

# A GUIDE TO OUR COOKING ICONS

What do the new Zanussi Quadro™ cooking appliances do and why? Here's your quick guide to our handy functions and features.



## FAST



### Thermaflow®

Imagine the convenience of being able to cook your main meal, pudding and garlic bread at the same time. The clever placement of the fan ensures no transfer of flavour or taste from one dish to another. Lower cooking temperatures and shorter cooking times, helps you save time and money.



### Auto Cook

Ideal if you want to come home to a hot meal, some of our ovens have a fully programmable timer which can cook your food and automatically switch off when you tell it too, giving you more time to relax.



### Thermal Grilling

Relax at the weekend with a hassle-free traditional all day breakfast. Thermal grilling uses the fan and grill to cook all your food at once without needing to turn it, saving you time!



### Defrost

So gentle it doesn't even melt cream, delicate foods like gateau can be defrosted in half the time!



## HANDY



### Pizza Oven

Bring Italy to your home, creating delicious Italian style pizzas with crisp bases and moist melted toppings every time. Not limited to pizzas, this oven will also give wonderful results for flans and quiches.



### Top Heat

For a mouth-watering finish to foods like lemon meringue and shepherds pie, top heat browns gently for great results.



### Bottom Heat

Great for re-heating pies and pasties, bottom heat keeps the base crispy. At low temperatures, it's ideal for plate warming too.

## WHAT TO LOOK OUT FOR...



**Fast.** Clever Zanussi features to get things done quicker.



**Handy.** The things you couldn't live without.



**Simple.** The touches that make Zanussi so easy to use.



**Smart.** Practical solutions from great Zanussi thinking.



## SIMPLE



### Cooler to Touch

For added safety our oven doors are air cooled, reducing the external touch temperature.



### Conventional

Great for one shelf cooking. This oven is hotter at the top and cooler at the bottom.



### Grilling

Cook large or small portions in a healthy and convenient way with the full or economy grill setting.



## SMART



### A-20% Energy Rating

A-20% means 20% more efficient than A rating for super efficiency.



### A-10% Energy Rating

A-10% means 10% more efficient than A rating for better efficiency.



### A Energy Rating

A rating - for great efficiency, helps the environment and your pocket.



### Fingerprint Proof Stainless Steel

Zanussi ovens feature a special anti-fingerprint finish which means even in the busiest kitchens our oven stays free from messy finger marks.



### Multifunction Cooking Options

Make cooking a more enjoyable part of your life with a multifunction oven, which combines the benefit of fan and conventional ovens with additional functions like pizza and thermal grilling. Experiment and get the best results for all your different recipes and dishes.

## COOKING: SINGLE OVENS

### ZOP38903XD



Imagine an oven that cleans itself! At the touch of a button this pyrolytic oven cleans itself, leaving behind only a fine ash, which can be simply wiped away.

Make cooking a more enjoyable part of your life with a multifunction oven, which combines the benefits of the fan and conventional oven for added flexibility.

#### Specifications

- Extra large 74 litre oven capacity
- Fully programmable oven timer with amber LEDs
- Thermaflow® fan cooking, saving you time
- Simple push button digital controls with large display
- Multifunction oven, including Pizza oven and Thermal grilling
- Fan controlled defrosting
- Full variable grill
- Fast heat-up function
- Air cooled quadruple glazed door
- 2 oven shelves
- Bright oven light
- Child lock for added safety
- Please ensure you always grill with the oven door closed for safety and economy

#### Colour Options

ZOP38903XD - Stainless Steel



### ZOP37902XK



Imagine an oven that cleans itself! At the touch of a button this pyrolytic oven cleans itself, leaving behind only a fine ash, which can be simply wiped away.

The temperature of the door and frame on this oven always stay safely low.

#### Specifications

- Extra large 74 litre oven capacity
- Fully programmable oven timer with amber LEDs
- Thermaflow® fan cooking, saving you time
- Multifunction oven, including Pizza oven and Thermal grilling
- Fan controlled defrosting
- Full variable grill
- 2 oven shelves
- Bright oven light
- Air cooled triple glazed door
- Please ensure you always grill with the oven door closed for safety and economy

#### Colour Options

ZOP37902XK - Stainless Steel

ZOP37902BK - Black



#### Removable glass panes

We all know the most hated job in the kitchen is cleaning the oven with one of the hardest parts cleaning the glass doors. That's why most of our ovens have removable glass panes.

For installation diagrams see page 36

For installation diagrams see page 36



## COOKING: SINGLE OVENS

### ZOA35802XD



Make cooking a more enjoyable part of your life with a multifunction oven, which combines the benefits of the fan and conventional oven for added flexibility.

Thermaflow® fan cooking, the clever placement of the fan ensures no transfer of flavour from one dish to another. Lower cooking temperatures and shorter cooking times, help you save time and money.

#### Specifications

- Extra large 74 litre oven capacity
- Heat activated Catalytic liners, a great help with cleaning
- Retractable oven controls
- Multifunction oven, including Pizza oven and Thermal grilling
- Fan controlled defrosting
- Full variable grill
- Fully programmable oven timer with amber LEDs
- Bright oven light
- 2 oven shelves
- Air cooled double glazed door
- Please ensure you always grill with the oven door closed for safety and economy

#### Colour Options

ZOA35802XD - Stainless Steel  
ZOA35802BK - Black



### ZOA35502XD



Make cooking a more enjoyable part of your life with a multifunction oven, which combines the benefits of the fan and conventional oven for added flexibility.

#### Specifications

- Extra large 74 litre oven capacity
- Thermaflow® fan cooking, saving you time
- Retractable oven controls
- Fan controlled defrosting
- Full variable grill
- Economy variable grill
- Fully programmable oven timer with amber LEDs
- Clean 'n' clear enamel interior
- Air cooled double glazed door
- 2 oven shelves
- Bright oven light
- Please ensure you always grill with the oven door closed for safety and economy

#### Colour Options

ZOA35502XD - Stainless Steel





**ZOB35301XK**



Auto Cook is ideal if you want to come home to a hot meal, some of our ovens have a fully programmable timer which can cook your food and automatically switch off when you tell it too, giving you more time to relax.

**Specifications**

- Large 70 litre oven capacity
- Thermaflow® fan cooking, saving you time
- Rotary oven controls
- Fan controlled defrosting
- Full variable grill
- Fully programmable oven timer with amber LEDs
- Bright oven light
- Clean 'n' clear enamel interior
- Air cooled double glazed door
- Please ensure you always grill with the oven door closed for safety and economy

**Colour Options**

- ZOB35301XK - Stainless Steel
- ZOB35301WK - White
- ZOB35301BK - Black

For installation diagrams see page 36



**ZOB31301XK**



With simple controls that give excellent results, this functional oven offers stress free food!

**Specifications**

- Large 70 litre oven capacity
- Thermaflow® fan cooking, saving you time
- Rotary oven controls
- Fan controlled defrosting
- Minute minder
- Variable grill
- 2 oven shelves
- Clean 'n' clear enamel interior
- Air cooled double glazed door
- Please ensure you always grill with the oven doors closed for safety and economy

**Colour Options**

- ZOB31301XK - Stainless Steel
- ZOB31301WK - White

For installation diagrams see page 36



**ZOA35525XK**



Side opening oven door with hinge on the left hand side. Allows easy access to the food.

**Specifications**

- Multifunction oven
- Heat activated Catalytic liners, a great help with cleaning
- Thermaflow® fan cooking, saving you time
- Rotary oven controls
- Fan controlled defrosting
- Full variable grill
- Turbo grilling
- Fully programmable oven timer with red LEDs
- Air cooled double glazed door
- Please ensure you always grill with the oven door closed for safety and economy

**Colour Options**

- ZOA35525XK - Stainless Steel right sided handle
- ZOA35525WK - White right sided handle

For installation diagrams see page 36



**ZOA35526XK**



Side opening oven door with hinge on the right hand side. Allows easy access to the food.

**Specifications**

- Multifunction oven
- Heat activated Catalytic liners, a great help with cleaning
- Thermaflow® fan cooking, saving you time
- Rotary oven controls
- Fan controlled defrosting
- Full variable grill
- Turbo grilling
- Fully programmable oven timer with red LEDs
- Air cooled double glazed door
- Please ensure you always grill with the oven door closed for safety and economy

**Colour Options**

- ZOA35526XK - Stainless Steel left sided handle
- ZOA35526WK - White left sided handle

For installation diagrams see page 36

## COOKING: BUILT-IN DOUBLE OVEN

### ZOD35702XK



Two cavities provides you with more space and gives you the option to bake and grill at the same time.

Make cooking a more enjoyable part of your life with a multifunction oven, which combines the benefits of the fan and conventional oven for added flexibility.

#### Specifications

- Retractable oven controls
- Heat activated catalytic cleaning
- Fully programmable timer with amber LEDs
- Air cooled double glazed door

#### Top Oven Functions

- 5 top oven functions, including:
  - Bottom heat
  - Top heat
  - Conventional cooking
  - Economy variable grill
- 1 oven shelf

#### Main Oven Functions

- 7 main oven functions, including:
  - Thermal grilling
  - Top heat
  - Bottom heat
  - Thermaflow® fan operated cooking
  - Conventional cooking
  - Economy variable grill
- 2 oven shelves
- Please ensure you always grill with the oven door closed for safety and economy

#### Colour Options

ZOD35702XK - Stainless Steel  
ZOD35702BK - Black



For installation diagrams see page 36

## COOKING: BUILT-IN/UNDER COUNTER DOUBLE OVENS

### ZOD35561XK



Two cavities provides you with more space and gives you the option to bake and grill at the same time.

Thermaflow® fan cooking ensures no transfer of flavour from one dish to another. Lower cooking temperatures and shorter cooking times, help you save time and money.

#### Specifications

- Rotary oven controls
- Fully programmable timer with amber LEDs
- Clean 'n' clear enamel interior in both ovens
- Air cooled double glazed door

#### Top Oven Functions

- 5 top oven features, including:
  - Economy variable grill
  - Conventional cooking
  - Bottom heat
  - Top heat
- 1 oven shelf

#### Main Oven Functions

- 2 main oven functions:
  - Thermaflow® fan operated cooking
  - Defrost
- Full width grill/meat pan
- 2 oven shelves
- Please ensure you always grill with the oven door closed for safety and economy

#### Colour Options

ZOD35561XK - Stainless Steel  
ZOD35561WK - White



For installation diagrams see page 36

## COOKING: BUILT-IN/UNDER COUNTER DOUBLE OVENS

### ZOF35702XK



Make cooking a more enjoyable part of your life with a multifunction oven, which combines the benefits of the fan and conventional oven for added flexibility.

Thermaflow® fan cooking ensures no transfer of flavour from one dish to another. Lower cooking temperatures and shorter cooking times, help you save time and money.

#### Specifications

- Heat activated catalytic liners, a great help with cleaning
- Retractable oven controls
- Fully programmable timer with amber LEDs
- Air cooled double glazed door

#### Top Oven Functions

- 7 top oven features:
  - Conventional cooking
  - Economy variable grilling
  - Bottom heat
  - Top heat
- 1 oven shelf

#### Main Oven Functions

- 5 main oven features, including:
  - Pizza oven
  - Thermal grilling
  - Thermaflow® fan operated cooking
  - Economy variable grill
  - Top heat
  - Bottom heat
- Full width grill/meat pan
- 2 oven shelves
- Air cooled double glazed door
- Please ensure you always grill with the oven door closed for safety and economy

#### Colour Options

ZOF35702XK - Stainless Steel



For installation diagrams see page 36

### ZOF35501XK



Thermaflow® fan cooking ensures no transfer of flavour from one dish to another. Lower cooking temperatures and shorter cooking times, help you save time and money.

Two cavities provides you with more space and gives you the option to bake and grill at the same time.

#### Specifications

- Heat activated catalytic liners, a great help with cleaning
- Rotary oven controls
- Fully programmable timer with amber LEDs
- Air cooled double glazed door

#### Top Oven Functions

- 5 top oven features, including:
  - Economy variable grill
  - Conventional cooking
  - Bottom heat
  - Top heat
- 1 oven shelf

#### Main Oven Functions

- 2 main oven functions
  - Thermaflow® fan operated cooking
  - Defrost
- Full width grill/meat pan
- 2 oven shelves
- Please ensure you always grill with the oven door closed for safety and economy

#### Colour Options

ZOF35501XK - Stainless Steel

ZOF35501WK - White



For installation diagrams see page 36

## COOKING: UNDER COUNTER DOUBLE OVENS

### ZOF35561XK



Two cavities provides you with more space and gives you the option to bake and grill at the same time.

Thermaflow® fan cooking ensures no transfer of flavour from one dish to another. Lower cooking temperatures and shorter cooking times, help you save time and money.

#### Specifications

- Rotary oven controls
- Fully programmable timer with amber LEDs
- Clean 'n' clear enamel liners
- Air cooled double glazed door

#### Top Oven Functions

- 5 top oven features, including:
  - Conventional cooking
  - Economy variable grill
  - Bottom heat
  - Top heat
- 1 oven shelf

#### Main Oven Functions

- 2 main oven functions:
  - Thermaflow® fan operated cooking
  - Defrost
- Full width grill/meat pan
- 2 oven shelves
- Please ensure you always grill with the oven door closed for safety and economy

#### Colour Options

ZOF35561XK - Stainless Steel



For installation diagrams see page 36

# MICROWAVES MADE EASY.



## COMPLEMENTING YOUR KITCHEN

### COMPACT AND MICROWAVE SOLUTIONS

#### Will the compact combi-microwave match larger appliances in the new range?

Yes, all appliances in our Quadro™ range, including compact products, sit beautifully together as a 'family'.

#### Can a microwave enhance a kitchen's design?

Yes, compact microwaves look great when combined with one of our ovens in a column design. And a microwave is easy to install, without the need for any additional kit.

#### How does a combi-microwave complement a main oven?

It's ideal if you want to prepare smaller meals or when time is short and you need to get several dishes ready at once.



## BIG PERFORMANCE IN A SMALL SPACE

### COMBINATION MICROWAVE OVEN

#### What are the benefits of a combi-microwave?

A combi-microwave acts as a second oven that can be used as a single oven, only smaller, or equally use it as a microwave to reheat, or why not combine microwave and traditional oven to cook in half the time.

#### What features are available?

A range of useful options that make it easier to create daily dishes, from constant even cooking to lower temperature programmes and automatic programmes.

#### How versatile is it?

The versatile combi-microwave ensures your food is crisp and golden, as well being ready in half the time.



## AN INVALUABLE TOOL

### MICROWAVE OVENS

#### What are the benefits of having a microwave?

A microwave is an invaluable tool in your kitchen. It will defrost, heat and reheat food much more quickly than a conventional oven. And it will perform all of these functions safely, using very little energy - saving you money.

#### How much can be cooked at one time?

Some models have up to a 38-litre capacity, which will accommodate most dishes easily and let you cook more in one go.

#### What are the benefits of having a grill?

The efficiency of closed door grilling allows you to cook large or small portions in a healthy and convenient way.

# A GUIDE TO OUR MICROWAVE ICONS

What do the new Zanussi Quadro™ microwave appliances do and why? Here's your quick guide to our handy functions and features.

## WHAT TO LOOK OUT FOR...

-  **Fast.** Clever Zanussi features to get things done quicker.
-  **Handy.** The things you couldn't live without.
-  **Simple.** The touches that make Zanussi so easy to use.
-  **Smart.** Practical solutions from great Zanussi thinking.



## FAST



### Microwave

An invaluable asset in your kitchen, a microwave cooks food quickly and safely, with low energy consumption saving you money.



## HANDY



### Microwave and Grill

Great for your Sunday breakfast or cheese on toast, the dual microwave and grill option offers traditional grilling and browning in a fraction of the usual time.



## SIMPLE



### Grill

The efficiency of closed door grilling with all Zanussi microwaves allows you to cook large or small portions in a healthy and convenient way.



## SMART



### Auto Programmes

Take the guesswork away with Zanussi's auto programmes, designed to cook or defrost your food at the touch of a button.



### Combination Microwave

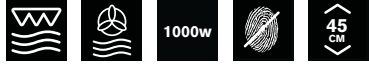
Ideal for traditional baking and roasting, combining the microwave with a fan oven allows you to cook in half the time.



### Thermaflow® Fan Cooking

The clever placement of the fan ensures no transfer of flavour or taste from one dish to another. Lower cooking temperatures and shorter cooking times helps you save time and money.

## ZKC38310XK



Our modern Quadro™ design with drop down door looks stylish in any setting but especially when combined, in column, with a Zanussi Quadro™ oven.

### Specifications

- Extra large family sized microwave, giving you the added flexibility of being able to cook more at one time
- Microwave and Thermaflow® fan cooking
- 5 auto defrost by weight programmes
- 1500w hinged grill
- 24 hour digital clock in amber LED with auto timer
- Quick start function
- Audible cooking end signal
- Internal halogen light
- Stainless steel interior
- Drop down oven door
- Accessories include glass microwave dish, baking tray and grill

### Colour Options

ZKC38310XK - Stainless Steel

For installation diagrams see page 36



## ZBG2654XA



The smart electronic controls make it easy to select the right programme.

### Specifications

- 8 auto cook by weight programmes
- 7 auto defrost by weight programmes
- 1000w hinged grill
- 24 hour digital clock in amber LED with auto timer
- Quick start function at full power in 30 second intervals
- Child lock - for safety
- Audible cooking end signal
- Stainless steel interior
- Rectangular grill rack
- Internal light

### Colour Options

ZBG26542XA - Stainless Steel

For installation diagrams see page 36



## ZBM26542XA



An invaluable asset in your kitchen, a microwave cooks food quickly and safely, with low energy consumption saving you money.

### Specifications

- 7 auto cook by weight programmes and 4 auto defrost by weight programmes
- 7 auto defrost by weight programmes
- Electronic controls
- 24 hour digital clock in amber LED with auto timer
- Quick start function at full power in 30 second intervals
- Child lock - for safety
- Audible cooking end signal
- Internal light
- Easy clean interior
- Push button door opening

### Colour Options

ZBM26542XA - Stainless Steel  
ZBM26542BA - Black

For installation diagrams see page 36



# COOKING: SINGLE OVENS



ZOP38903XD



ZOP37902XK/BK



ZOA35802XD/BK

OVEN FUNCTIONS	ZOP38903XD	ZOP37902XK/BK	ZOA35802XD/BK
Thermafloss® fan operated cooking	•	•	•
Thermal grilling	•	•	•
Conventional cooking	•	•	•
Pizza setting	•	•	•
Defrost	•	•	•
Full width grill	•	•	•
Economy grill	•	•	•
Turbo grill	•	•	•
Bottom heat - reheat	•	•	•
Top heat browning	•	•	•
OVEN FEATURES	ZOP38903XD	ZOP37902XK/BK	ZOA35802XD/BK
Oven door(s)	Quadruple	Triple	Double
Interior halogen lights (Watts)	1 x 15	1 x 40	1 x 40
Interior lights (Position)	Back + Side	Back & side	Back + Side
Touch controls	•	•	•
Digital push button controls	•	•	•
Retractable controls		•	•
Rotary controls	•	•	•
Digital display	•	•	•
Digital temperature control	•	•	•
Removable door	•	•	•
Removable glass panels	•	•	•
Cooling fan	•	•	•
PROGRAMMER	ZOP38903XD	ZOP37902XK/BK	ZOA35802XD/BK
Mechanical minute minder	•	•	•
Fully programmable electronic clock & minute minder	•	•	•
CLEANING	ZOP38903XD	ZOP37902XK/BK	ZOA35802XD/BK
Pyrolytic oven cleaning (2)	•	•	•
Catalytic lining / liners			•
Easy clean enamel interior			•
Fold down grill			•
EQUIPMENT SUPPLIED	ZOP38903XD	ZOP37902XK/BK	ZOA35802XD/BK
Optional Telescopic runners	S.TRUN2FE	S.TRUN2FE	S.TRUN2FE
Chrome grid runners	•	•	•
Grill pan and trivet	•	•	•
INTERNAL OVEN DIM.	ZOP38903XD	ZOP37902XK/BK	ZOA35802XD/BK
Volume (usage) (litres)	74	74	74
Height (mm)	357	357	357
Width (mm)	480	480	480
Depth (mm)	416	416	416
ENERGY INFORMATION	ZOP38903XD	ZOP37902XK/BK	ZOA35802XD/BK
Oven temperature range (°C)	30-300	30-300	50-250
Energy class	A-20%	A-20%	A-10%
Cooktime standard load static (minutes)			
Cooktime standard load fan (minutes)			
Energy consumption static (kW/h)	0.89	0.89	0.89
Energy consumption fan (kW/h)	0.79	0.79	0.88
ELECTRICAL CONNECTION	ZOP38903XD	ZOP37902XK/BK	ZOA35802XD/BK
Connected load (kW)	3.5	3.5	2.8
Fuse rating (A)	16	16	13
Oven/Grill power (max) (kW)	3480/2300	3480/2300	2780/1700
APPLIANCE DIMENSIONS	ZOP38903XD	ZOP37902XK/BK	ZOA35802XD/BK
Height x Width x Depth (mm)	589 x 594 x 568	589 x 594 x 568	589 x 594 x 568
Net weight (Kg)	36.9	34.1	33.5
APERTURE DIMENSIONS 1)	ZOP38903XD	ZOP37902XK/BK	ZOA35802XD/BK
Height x Width x Depth (mm)	600 x 560 x 550	600 x 560 x 550	600 x 560 x 550
PACKAGING DIMENSIONS	ZOP38903XD	ZOP37902XK/BK	ZOA35802XD/BK
Height x Width x Depth (mm)	660 x 630 x 670	660 x 630 x 670	660 x 630 x 670
Gross weight (Kg)	38.3	35.5	34.9
SAFETY & INTERFERENCE SUPPRESSION	ZOP38903XD	ZOP37902XK/BK	ZOA35802XD/BK
Low Voltage Directive (LVD)	•	•	•
Electromagnetic Compatibility (EMC)	•	•	•
LITERATURE SUPPLIED	ZOP38903XD	ZOP37902XK/BK	ZOA35802XD/BK
Operation and installation instructions	•	•	•



ZOA35502XD



ZOB35301XK/WK/BK



ZOB31301XK/WK



ZOA35525XK



ZOA35526XK

OVEN FUNCTIONS	ZOA35502XD	ZOB35301XK/WK/BK	ZOB31301XK/WK	ZOA35525XK	ZOA35526XK
Thermafloss® fan operated cooking	•	•	•	•	•
Thermal grilling	•	•	•	•	•
Conventional cooking	•	•	•	•	•
Pizza setting	•	•	•	•	•
Defrost	•	•	•	•	•
Full width grill	•	•	•	•	•
Economy grill	•	•	•	•	•
Turbo grill	•	•	•	•	•
Bottom heat - reheat	•	•	•	•	•
Top heat browning	•	•	•	•	•
OVEN FEATURES	ZOA35502XD	ZOB35301XK/WK/BK	ZOB31301XK/WK	ZOA35525XK	ZOA35526XK
Oven door(s)	Double	Double	Double	Double	Double
Interior halogen lights (Watts)	1 x 40	1 x 40	1 x 40	1 x 15	1 x 15
Interior lights (Position)	Back + Side	Back + Side	Back + Side	Back + Side	Back + Side
Touch controls	•	•	•	•	•
Digital push button controls	•	•	•	•	•
Retractable controls	•	•	•	•	•
Rotary controls	•	•	•	•	•
Digital display	•	•	•	•	•
Digital temperature control	•	•	•	•	•
Removable door	•	•	•	•	•
Removable glass panels	•	•	•	•	•
Cooling fan	•	•	•	•	•
PROGRAMMER	ZOA35502XD	ZOB35301XK/WK/BK	ZOB31301XK/WK	ZOA35525XK	ZOA35526XK
Mechanical minute minder	•	•	•	•	•
Fully programmable electronic clock & minute minder	•	•	•	•	•
CLEANING	ZOA35502XD	ZOB35301XK/WK/BK	ZOB31301XK/WK	ZOA35525XK	ZOA35526XK
Pyrolytic oven cleaning (2)	•	•	•	•	•
Catalytic lining / liners	•	•	•	•	•
Easy clean enamel interior	•	•	•	•	•
Fold down grill	•	•	•	•	•
EQUIPMENT SUPPLIED	ZOA35502XD	ZOB35301XK/WK/BK	ZOB31301XK/WK	ZOA35525XK	ZOA35526XK
Optional Telescopic runners	S.TRUN2FE	S.TRUN2FE	S.TRUN2FE	S.TRUN2FE	S.TRUN2FE
Chrome grid runners	•	•	•	•	•
Grill pan and trivet	•	•	•	•	•
INTERNAL OVEN DIM.	ZOA35502XD	ZOB35301XK/WK/BK	ZOB31301XK/WK	ZOA35525XK	ZOA35526XK
Volume (usage) (litres)	74	70	70	60	60
Height (mm)	357	357	357	328	328
Width (mm)	480	451	451	437	437
Depth (mm)	416	416	416	401	401
ENERGY INFORMATION	ZOA35502XD	ZOB35301XK/WK/BK	ZOB31301XK/WK	ZOA35525XK	ZOA35526XK
Oven temperature range (°C)	50-250	50-250	50-250	50-250	50-250
Energy class	A-10%	A-10%	A-10%	A-10%	A-10%
Cooktime standard load static (minutes)			43	43	43
Cooktime standard load fan (minutes)				41	41
Energy consumption static (kW/h)	0.89	0.89	0.89	0.79	0.79
Energy consumption fan (kW/h)	0.88	0.88	0.88	0.79	0.79
ELECTRICAL CONNECTION	ZOA35502XD	ZOB35301XK/WK/BK	ZOB31301XK/WK	ZOA35525XK	ZOA35526XK
Connected load (kW)	2.8	2.5	2.5	2.5	2.5
Fuse rating (A)	13	13	13	13	13
Oven/Grill power (max) (kW)	2780/1700	2480/1700	2480/1700	2500/2450	2500/2450
APPLIANCE DIMENSIONS	ZOA35502XD	ZOB35301XK/WK/BK	ZOB31301XK/WK	ZOA35525XK	ZOA35526XK
Height x Width x Depth (mm)	589 x 594 x 568	589 x 594 x 568	589 x 594 x 568	590 x 594 x 560	590 x 594 x 560
Net weight (Kg)	32.8	30.6	29.8	31.8	31.8
APERTURE DIMENSIONS 1)	ZOA35502XD	ZOB35301XK/WK/BK	ZOB31301XK/WK	ZOA35525XK	ZOA35526XK
Height x Width x Depth (mm)	600 x 560 x 550	600 x 560 x 550	600 x 560 x 550	600 x 560 x 550	600 x 560 x 550
PACKAGING DIMENSIONS	ZOA35502XD	ZOB35301XK/WK/BK	ZOB31301XK/WK	ZOA35525XK	ZOA35526XK
Height x Width x Depth (mm)	660 x 630 x 670	660 x 630 x 670	660 x 630 x 670	660 x 630 x 670	660 x 630 x 670
Gross weight (Kg)	34.2	32	31.2	33.3	33.3
SAFETY & INTERFERENCE SUPPRESSION	ZOA35502XD	ZOB35301XK/WK/BK	ZOB31301XK/WK	ZOA35525XK	ZOA35526XK
Low Voltage Directive (LVD)	•	•	•	•	•
Electromagnetic Compatibility (EMC)	•	•	•	•	•
LITERATURE SUPPLIED	ZOA35502XD	ZOB35301XK/WK/BK	ZOB31301XK/WK	ZOA35525XK	ZOA35526XK
Operation and installation instructions	•	•	•	•	•

# COOKING: DOUBLE OVENS



ZOD35702XK/BK



ZOD35561XK/WK

OVEN FUNCTIONS (T=TOP, M=MAIN)	T/M	T/M
Thermaflow® fan	/ Fan + Ring	/ Fan + Ring
Conventional cooking	•/•	•/
Pizza setting		
Defrost	/•	/•
80° Keep Warm		
Full width grill	•/•	•/
Economy grill		•/
Bottom heat	•/•	•/
Top heat browning	•/	•/
Slow Cooking		
OVEN FEATURES		
Oven door(s)	Double	Double
Interior lights (Watts)	1 / 1	1 / 1
Interior lights (Position)	Back / Back	Back / Back
Digital Push Button Controls		
Retractable Controls	•	
Digital display	• / Amber	• / Amber
Drop down door	•	•
Cooling fan	•	•
PROGRAMMER		
Fully programmable electronic clock & minute minder	•	•
CLEANING		
Catalytic lining / liners	•	
Easy clean enamel interior		•
Fold down grill		•/
EQUIPMENT SUPPLIED		
Runner type	Grid Runners	Grid Runners
Auto-stop shelves	•	•
Grill pan and trivet	•	•
INTERNAL OVEN DIM. (T=TOP, M=MAIN)		
Volume (usage) (litres)	43/68	43/68
Height (mm)	212/368	212/328
Width (mm)	440/435	440/435
Depth (mm)	448/409	448/409
ENERGY INFORMATION		
Oven temperature range (°C)	50-275	50-275
Energy class	A/A	A/A
Cooktime standard load static (minutes)	52/49	52
Cooktime standard load fan (minutes)	NA/44	NA/44
Energy consumption static (kW/h)	0.79/0.88	790/NA
Energy consumption fan (kW/h)	NA/790	NA/790
Standby power (W)	1.3	1.3
ELECTRICAL CONNECTION		
Connected load (kW)	5.2	4.2
Fuse rating (A)	30	30
Oven power (max) (kW)	2350/2975	2350/1975
Grill power (max) (kW)	2300/2900	2300/NA
APPLIANCE DIMENSIONS		
Height x Width x Depth (mm)	888 x 594 x 548	888 x 594 x 548
Net weight (Kg)	51.5	50.45
APERTURE DIMENSIONS 1)		
Height x Width x Depth (mm)	875 x 560 x 550	875 x 560 x 550
PACKAGING DIMENSIONS		
Height x Width x Depth (mm)	965 x 660 x 705	965 x 660 x 705
Gross weight (Kg)	56.9	55.55
SAFETY & INTERFERENCE SUPPRESSION		
Low Voltage Directive (LVD)	•	•
Electromagnetic Compatibility (EMC)	•	•
LITERATURE SUPPLIED		
Operation and installation instructions	•	•

1) Refer to user instructions before cutting out.  
2) 5.0 kW/hr.



ZOF35702XK



ZOF35501XK/WK



ZOF35561XK

OVEN FUNCTIONS (T=TOP, M=MAIN)	T/M	T/M	T/M
Thermaflow® fan	/ Fan + Ring	/ Fan + Ring	/ Fan + Ring
Conventional cooking	•/•	•/	•/
Pizza setting			
Defrost	/•	/•	/•
80° Keep Warm			
Full width grill	•/•	•/	•/
Economy grill		•/	•/
Bottom heat	•/	•/	•/
Top heat browning	•/	•/	•/
Slow Cooking			
OVEN FEATURES			
Oven door(s)	Double	Double	Double
Interior lights (Watts)	1 / 1	1 / 1	1 / 1
Interior lights (Position)	Side / Back	Back / Back	Back / Back
Digital Push Button Controls			
Retractable Controls	•		
Digital display	• / Amber	• / Amber	• / Amber
Compact hinge	•	•	•
Cooling fan	•	•	•
PROGRAMMER			
Fully programmable electronic clock & minute minder	•	•	•
CLEANING			
Catalytic lining / liners	•	•	
Easy clean enamel interior			•
Fold down grill			•/
EQUIPMENT SUPPLIED			
Chrome grid runners	Grid Runners	Grid Runners	Grid Runners
Chrome auto-stop non-tip shelves	•	•	•
Grill pan and trivet	•	•	•
INTERNAL OVEN DIM. (T=TOP, M=MAIN)			
Volume (usage) (litres)	40/46	40/46	40/46
Height (mm)	210/246	210/246	210/246
Width (mm)	439/441	439/441	439/441
Depth (mm)	415/410	415/410	415/410
ENERGY INFORMATION			
Oven temperature range (°C)	50-275	50-275	50-275
Energy class	A/A	A/A	A/A
Cooktime standard load static (minutes)	52	52	52
Cooktime standard load fan (minutes)	44/48	NA/48	NA/48
Energy consumption static (kW/h)	850/NA	850/NA	790/NA
Energy consumption fan (kW/h)	0.79/0.79	NA/0.79	NA/0.82
Standby power (W)	1.3	0.77	0.77
ELECTRICAL CONNECTION			
Connected load (kW)	5.2	4.2	4.2
Fuse rating (A)	30	30	30
Grill power (max) (kW)	2350/2975	2350/1075	2350/1975
Oven power (max) (kW)	2300/2900	2300/1975	2300/NA
APPLIANCE DIMENSIONS			
Height x Width x Depth (mm)	715 x 594 x 548	715 x 594 x 548	715 x 594 x 548
Net weight (Kg)	46.95	46.95	46.95
APERTURE DIMENSIONS 1)			
Height x Width x Depth (mm)	870 x 600 x 560	870 x 600 x 560	870 x 600 x 560
PACKAGING DIMENSIONS			
Height x Width x Depth (mm)	805 x 660 x 705	805 x 660 x 705	805 x 660 x 705
Gross weight (Kg)	51.8	51.8	51.8
SAFETY & INTERFERENCE SUPPRESSION			
Low Voltage Directive (LVD)	•	•	•
Electromagnetic Compatibility (EMC)	•	•	•
LITERATURE SUPPLIED			
Operation and installation instructions	•	•	•

COOKING



ZKC38310XK



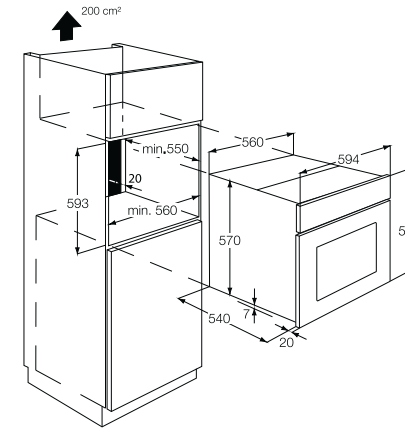
ZBG26542XA



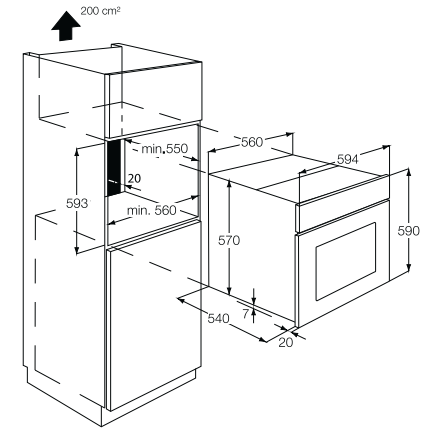
ZBM26542XA/BA

MICROWAVE OVENS			
Combi microwave, fan oven & grill	•		
Microwave & grill	•		
Solo microwave	•		
PERFORMANCE			
Microwave Output	1000	900	900
Heating Category 1)	E	E	E
Grill Output	1500	1000	
Conventional Oven Output	1600		
FEATURES			
Fully Built-In	•		
Under counter installation/In column installation	•		
Microwave power levels	5	5	5
Hinged grill	•		
Electronic Push Controls	5	6	5
Control Knobs	2	1	1
Electronic Clock/Timer	•		
Programme End Signal	•		
Internal Light	•		
COOKING MODES			
Microwave	•		
Grill	•		
Microwave & Grill	•		
Convection (Fan)	•		
Microwave & Convection	•		
Defrost	•		
Auto Defrost By Weight Programmes	5	7	5
Auto Cook By Weight Programmes		8	7
Quickstart	•		
TECHNICAL			
Total Load Rating (kW)	3400	2400	1300
Fuse (A)	15	13	13
PRODUCT DIMENSIONS			
Oven volume (gross) (litres)	38	26	26
Height x Width x Depth (mm)	455 x 594 x 542	459 x 594 x 437	459 x 594 x 437
Net Weight (kg)	35	18.5	18.5
BUILT IN DIMENSIONS 2)			
Height x Width x Depth (mm)	450 x 560 x 550	450 x 560 x 580	450 x 562 x 500
PACKAGING DIMENSIONS			
Height x Width x Depth (mm)	535 x 680 x 660	525 x 660 x 535	525 x 660 x 535
Gross weight (Kg)	38	22	21.5

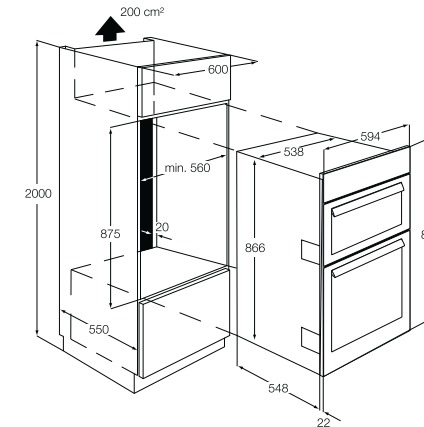
ZOF38903XD / ZOP37902XK/BK / ZOA35802XD/BK  
ZOA35502XD / ZOB35301XK/WK/BK /  
ZOB31301XK/WK



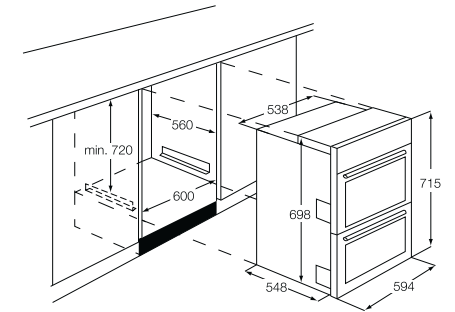
ZOB550XL/WL / ZOB555XL/WL



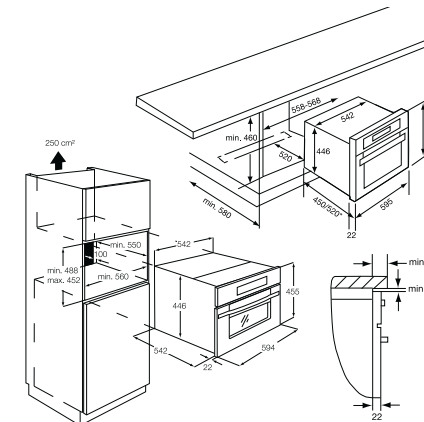
ZOD35702XK/BK / ZOD35561XK/WK/BK



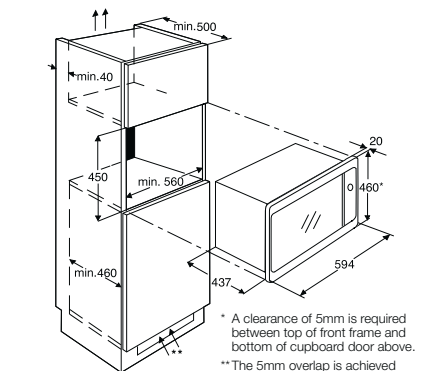
ZOF35702XK / ZOF35501XK/WK / ZOF35561XK



ZKC38310XK / ZBG26541XA



ZBM26542XA/BA



\* A clearance of 5mm is required between top of front frame and bottom of cupboard door above.  
\*\* The 5mm overlap is achieved when using the 360mm "feet". To use the 360mm high niche, the feet must be changed as per the instruction book.

## Notes

- 1) Heating category of the microwave in line with government guidelines.
- 2) Installation aperture dimensions, for full details refer to installation guidelines.

# HOBS MADE EASY.



## MODERN AND ULTRA FAST

### QUICK RESPONSE INDUCTION HOBS

#### How does induction work?

Induction cooking creates a magnetic field, only heating what needs to be heated, the base of your pan.

#### Is it safe and convenient?

Completely. The area around the pan stays cool and is safe to touch. And spills aren't baked on to the surface, making cleaning easy.

#### Can it heat food quickly?

Cooking is nearly twice as fast as using gas. Go from simmering to boiling in an instant. And by heating the base of a pan, there's almost no wasted energy. In fact, induction hob cooking is more efficient than any other electric option - saving up to 30% on bills.



## STYLISH AND HASSLE FREE

### CERAMIC GLASS & SOLID PLATE

#### Why choose a ceramic hob?

This is the most popular choice, with simple controls, a range of power options and residual heat indicators in some models. Just wipe for a sparkling clean surface.

#### Why choose a solid plate hob?

This type of hob is highly affordable. It can take a few minutes to reach maximum heat, but some models have red heat spots for greater cooking power. When going from a boil to a simmer, it's best to use separate plates.



## INSTANT AND VERSATILE

### GAS HOBS

#### Why choose a gas hob?

Cooking with gas is immediate, visible and gives you maximum control.

#### Is it safe?

Yes. Pots and pans rest firmly on our specially designed supports, all our hobs have automatic ignition and, if the flame goes out, the gas cuts out.

#### How flexible is it?

Our gas hobs are configured to give you an ideal range of cooking options. Look out for such features as the triple-crown gas burner, ideal for wok cooking and creating large dishes in one go.

# A GUIDE TO OUR HOB ICONS

What do the new Zanussi Quadro™ hobs do and why? Here's your quick guide to our handy functions and features.

## HOB FEATURES



### Induction

Induction has all the benefits of easy to clean ceramic, together with the fastest, most responsive cooking, whether you are cooking pasta or melting chocolate. Induction works by creating a magnetic field between the hob and the saucepan - this means that the pan heats, not the hob so it's really safe to use and so easy to clean, the ultimate convenience in hob cooking.



### Touch Control

Welcome to the cutting edge of hob technology; many of Zanussi's hobs now feature electronic touch controls with digital displays which not only make the operation easier but will offer you a larger choice of power levels, giving you total control.



### Timers

When time is of the essence, individual hob timers can be set so you know exactly when your food is cooked and dinner will be ready.



### Safety

We understand the importance of safety within the kitchen which is why our models have a residual heat warning when the hob is still hot. Some models also have a safety lock to prevent settings being changed.



### Front Controls

Great for left or right-handed cook's, front controls ensure great flexibility and are easy to use.

## GAS HOB FEATURES



### Wok Cooking

Ideal for stir fries our wok burner provides a high heat to ensure all your wok cooking is effortlessly prepared.



### 75cm Extra Space

To enhance your cooking experience, Zanussi offers 75cm gas hobs giving you just a little bit more space with more than enough room for all your pans and for added convenience they fit into the same space as a 60cm hob.



### Front Controls

Ideally positioned at the front of the hob, the controls are easy to use and access, great for left to right handed cooks.



### Automatic Ignition

For added convenience all our burners have automatic ignition, great for single handed operation. Simply push down on the dial and the flame comes on!



### Safety

Zanussi knows how important peace of mind is to you, that's why all of our gas hobs have flame safety, meaning when the flame goes out the gas cuts off.

## COOKING: INDUCTION HOBS

### ZEI6640XBA



Imagine a hob that boils quicker than gas using the latest innovation. Induction hobs use clever technology to heat the food and not the hob - the fastest and most responsive cooking whether you're melting chocolate or cooking pasta, giving you more time to enjoy your food.

#### Specifications

- Electronic touch controls with digital displays make selection easier and offer a larger choice of power levels and control
- Instant-response hob
- Timer with auto switch-off
- Wipe clean ceramic hob surface
- 9 power levels with red digital display
- 4 induction zones
- Automatic heat up
- Booster setting
- Residual heat indicators
- 99 minute timer with acoustic signal
- Child safety control lock
- Auto safety switch off

#### Colour Options

ZEI6640XBA - Stainless Steel frame



### ZEI8640XBA



Imagine a hob that boils quicker than gas using the latest innovation. Induction hobs use clever technology to heat the food and not the hob - the fastest and most responsive cooking whether you're melting chocolate or cooking pasta, giving you more time to enjoy your food.

#### Specifications

- 80cm for more space on hob
- Electronic touch controls with digital displays make selection easier and offer a larger choice of power levels and control
- Instant-response hob
- Timer with auto switch-off
- Wipe clean ceramic hob surface
- 9 power levels with red digital display
- 4 induction zones
- Automatic heat up
- Booster setting
- Residual heat indicators
- 99 minute timer with acoustic signal
- Child safety control lock
- Auto safety switch off

#### Colour Options

ZEI8640XBA - Stainless Steel frame



#### Automatic heat up

Zanussi's clever automatic heat up function adds more power to each zone to help reach your selected temperature quicker, saving you time.

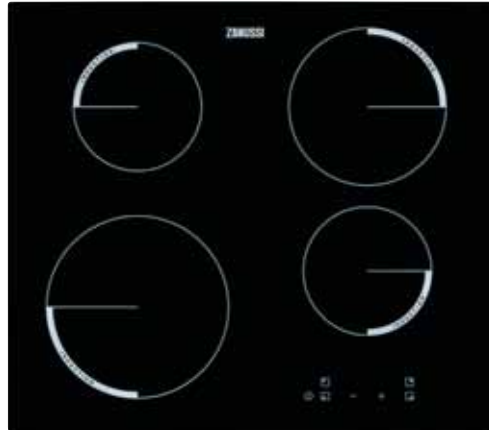
For installation diagrams see page 61

For installation diagrams see page 61

### ZEI6240FBA



Imagine a hob that boils quicker than gas using the latest innovation. Induction hobs use clever technology to heat the food and not the hob - the fastest and most responsive cooking whether you're melting chocolate or cooking pasta, giving you more time to enjoy your food.



#### Specifications

- Electronic touch controls with digital displays make selection easier and offer a larger choice of power levels and control
- Wipe clean ceramic hob surface
- 9 power levels with red digital display
- 4 induction zones
- Residual heat indicators
- Auto safety switch off

#### Colour Options

ZEI6240FBA - Frameless

For installation diagrams see page 61

### ZEI6840FBA



Plug your induction hob into any domestic plug socket. Induction hobs use clever technology to heat the food and not the hob - the fastest and most responsive cooking whether you're melting chocolate or cooking pasta, giving you more time to enjoy your food.



#### Specifications

- Electronic touch controls with digital displays make selection easier and offer a larger choice of power levels and control
- Instant-response hob
- Timer with auto switch-off
- Wipe clean ceramic hob surface
- 9 power levels with red digital display
- 4 induction zones
- Automatic heat up
- Booster setting
- Residual heat indicators
- 99 minute timer with acoustic signal
- Child safety control lock
- Auto safety switch off

For installation diagrams see page 61

## COOKING: CERAMIC HOBS

### ZEV6646XBA



Electronic touch controls with digital displays not only make selection easier but also offer a larger choice of power levels and control.



#### Specifications

- 4 heat zones, including dual fast zone and 1 oval zone
- Wipe clean ceramic hob surface
- 9 power levels with red digital display
- Automatic heat up
- Residual heat indicators
- 99 minute timer with acoustic signal
- Child safety control lock
- Auto safety switch off

#### Colour Options

ZEV6646XBA - Stainless Steel frame

### ZEV8646XBA



80cm Ceramic Hob. Electronic touch controls with digital displays not only make selection easier but also offer a larger choice of power levels and control.



#### Specifications

- 80cm for more space on hob
- 4 heat zones, including dual fast zone and 1 oval zone
- Wipe clean ceramic hob surface
- 9 power levels with red digital display
- Automatic heat up
- Residual heat indicators
- 99 minute timer with acoustic signal
- Child safety control lock
- Auto safety switch off

For installation diagrams see page 61



**ZEV6240FBA**



Great for left or right-handed cooks, front controls ensure total flexibility.

**Specifications**

- Electronic touch controls with digital displays make selection easier and offer a larger choice of power levels and control.
- Wipe clean ceramic hob surface
- 9 power levels with red digital display
- Residual heat indicators
- Auto safety switch off

**Colour Options**

ZEV6240FBA - Frameless

For installation diagrams see page 61



**ZEV6940FBA**



Great for left or right-handed cooks, front controls ensure total flexibility.

**Specifications**

- Easy to clean
- Residual heat indicators with red LEDs
- Wipe clean ceramic hob surface
- 4 heat zones in 3 sizes
- 10 power levels

**Colour Options**

ZEV6940XBV - Stainless Steel frame  
ZEV6940FBA - Frameless

For installation diagrams see page 61



**ZEV6940FXA**



Great for left or right-handed cooks, front controls ensure total flexibility.

**Specifications**

- Stylish one-piece hob surface for easier cleaning
- No dirt traps
- Easy to use front controls
- Power on light

**Colour Options**

ZEE6940FXA - Stainless Steel  
ZEE6940FWA - White

For installation diagrams see page 61



**ZEI3921IBA**



Stylish two zone induction hob, ideal for small kitchens.

**Specifications**

- Easy to use black front rotary controls
- Great for left or right handed cooks, front controls ensure total flexibility
- Two high powered induction zones
- Wipe clean ceramic hob surface
- Power on light

**Colour Options**

ZEI3921IBA - Stainless Steel frame

**ZES3921IBA**



Stylish two zone ceramic hob, ideal for small kitchens.

**Specifications**

- Easy to use black front rotary controls
- Great for left or right handed cooks, front controls ensure total flexibility
- Wipe clean ceramic hob surface
- Power on light

**Colour Options**

ZES3921IBA - Stainless Steel frame

**ZGG35214XA**



Stylish gas domino hob with two burners, ideal for small kitchens.

**Specifications**

- 2 gas burners including 1 rapid burner and 1 simmer burner
- Easy to use black front rotary controls
- Power on light

**Colour Options**

ZGG35214XA - Stainless Steel

**ZEE3921IXA**



2 solid plate hob ideal for small kitchens.

**Specifications**

- Stylish one-piece hob surface for easier cleaning
- Easy to use black front controls
- Zone with red dot for faster heat up
- Power on light

**Colour Options**

ZEE3921IXA - Stainless Steel

## COOKING: GAS HOBS

### ZGO76534BA



For a chic contemporary look, this gas on glass hob will enhance the style of your kitchen. Ideal for stir fries, our wok burner provides maximum heat to ensure all your wok cooking is effortlessly prepared.

#### Specifications

- Safety gas cut off using thermocouples
- 5 pureflame burners - ultra rapid triple crown wok burner, 3 semi-rapid and 1 simmer burner
- Easy to reach front controls
- Automatic integrated ignition
- Easy clean ceramic surface
- 5 stylish cast iron pan supports
- LPG conversion kit included

#### Colour Options

ZGO76534BA - Gas on glass



For installation diagrams see page 62

### ZGO63414BA



For a chic contemporary look, this gas on glass hob will enhance the style of your kitchen. Ideal for stir fries, our wok burner provides maximum heat to ensure all your wok cooking is effortlessly prepared.

#### Specifications

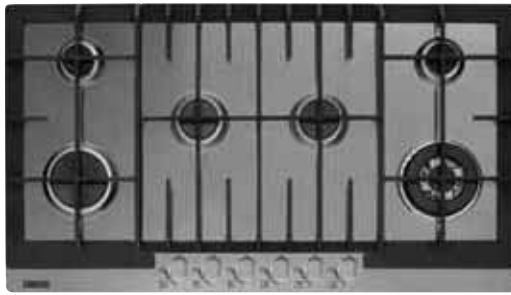
- 4 pureflame burners - 1 rapid, 2 semi-rapid and 1 simmer
- 4 stylish cast iron pan supports
- Easy to reach side controls
- Safety gas cut off using thermocouples
- LPG conversion kit included

#### Colour Options

ZGO63414XA - Stainless Steel



For installation diagrams see page 62



**ZGG96624XA**



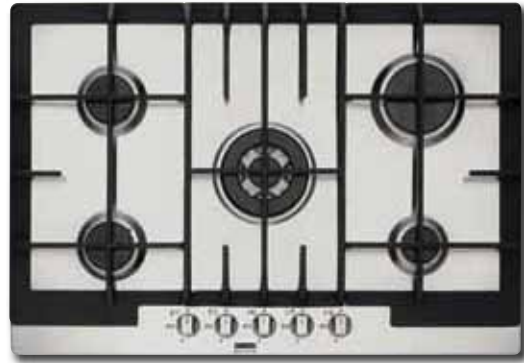
Extra space to cook more at once. With the extra large hob surface you get 6 pureflame burners to cook more or bigger dishes in one go. Great for all your cooking needs.

**Specifications**

- Safety gas cut-off using thermocouples
- 6 pureflame burners - 1 triple crown burner, 1 rapid burner, 2 semi rapid burners, 2 simmer burners
- Smooth hob surface with no dirt traps
- Easy to reach front controls
- 3 cast iron pan supports
- Automatic integrated ignition
- LPG conversion kit included

**Colour Options**

ZGG96624XA



**ZGG76524XA**



To enhance your cooking experience, our 75cm wide hob gives you just a little bit more space, ideal for wok cooking and more than enough room for all your other pans too.

**Specifications**

- 5 pureflame burners - 1 ultra rapid triple crown, 1 rapid, 2 semi-rapid and 1 simmer
- Wok burner ideal for stir fries
- Stylish one-piece hob surface for easy cleaning
- 3 stylish cast iron pan supports
- Automatic integrated ignition
- Fits standard 60cm cut out
- Safety gas cut off using thermocouples
- LPG conversion kit included

**Colour Options**

ZGG76524XA - Stainless Steel



**ZGG766424XA**



Ideal for stir fries, our wok burner provides a high heat to ensure all your wok cooking is effortlessly prepared.

**Specifications**

- 4 pureflame burners - 1 wok, 2 semi-rapid and 1 simmer
- Stylish one-piece hob surface for easy cleaning
- 2 stylish cast iron pan supports
- Automatic integrated ignition
- Safety gas cut off using thermocouples
- LPG conversion kit included

**Colour Options**

ZGG66424XA - Stainless Steel  
ZGG66424BA - Black



**ZGG75524XA**



To enhance your cooking experience, our 75cm wide hobs give you just that little bit more space, ideal for wok cooking and more than enough room for all your other pans too.

**Specifications**

- 5 pureflame burners - 1 ultra rapid triple crown, 1 rapid, 2 semi-rapid and 1 simmer
- Wok burner ideal for stir fries
- Front control panel
- Stylish one-piece hob surface for easy cleaning
- 3 enamel pan supports
- Automatic integrated ignition
- Safety gas cut off using thermocouples
- Fits standard 60cm cut out
- LPG conversion kit included

**Colour Options**

ZGG75524XA - Stainless Steel

For installation diagrams see page 62

For installation diagrams see page 62

For installation diagrams see page 62

## COOKING: GAS HOBS



### ZGG65414SA



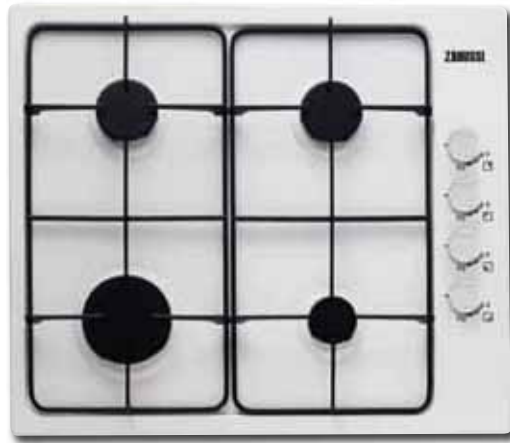
Great for left or right-handed cooks, the front controls ensure total flexibility.

#### Specifications

- Automatic integrated ignition, great for one handed operation
- Stylish one-piece hob surface for easy cleaning
- 4 pureflame burners - 1 rapid, 2 semi-rapid and 1 simmer
- 2 enamel pan supports
- LPG conversion kit included

#### Colour Options

ZGG65414XA - Stainless Steel



### ZGG62414WA



Stylish one-piece hob surface for easy cleaning.

#### Specifications

- Automatic integrated ignition, great for one handed operation
- Easy to grip side rotary controls
- 4 pureflame burners - 1 rapid, 2 semi-rapid and 1 simmer
- 2 enamel pan supports
- LPG conversion kit included

#### Colour Options

ZGG62414SA - Stainless Steel  
ZGG62414WA - White

For installation diagrams see page 62

For installation diagrams see page 62





ZE16640XBA ZE16840FBA ZE16240FBA ZEV6646XBA ZEV6240FBA

HOB FEATURES					
Number of cooking zones	4	4	4	4	4
Control position	Front Right	Front Right	Front Right	Front Right	Front Right
Control type	Touch	Touch	Touch	Touch	Touch
Residual heat/Hob on indicator	•	•	•	•	•
Electronic timer	•			•	
Child lock	•	•		•	
Auto cut-off		•			
No of booster zones		4			
Automatic heat up	•	•		•	
Pot sensors					
Pan support					
ZONE SPECIFICATION					
Front left spec 2)	Induction	Induction	Induction	Dual Zone	Ceramic
Front left rating 3) (kW)	2.3 / 3.7	2.8	2.3	0.75 / 2.2	2.3
Front left diameter (mm)	210	280	210	210	210
Front right spec 2)	Induction	Induction	Induction	Ceramic	Ceramic
Front right rating 3) (kW)	1.4 / 2.5	1.8	1.4	1.2	1.2
Front right diameter (mm)	145	145	145	145	145
Rear left spec 2)	Induction	Induction	Induction	Ceramic	Ceramic
Rear left rating 3) (kW)	1.8	1.2	1.4	1.2	1.2
Rear left diameter (mm)	180	145	145	145	145
Rear right spec 2)	Induction		Induction	Dual Zone	Ceramic
Rear right rating 3) (kW)	1.8		1.8	1.5 / 2.4	1.8
Rear right diameter (mm)	180		180	170 / 265	180
Rear spec 2)					
Rear rating 3) (kW)					
Rear diameter (mm)					
Front spec 2)					
Front rating 3) (kW)					
Front diameter (mm)					
ELECTRICAL CONNECTION					
Total rating (max) (kW)	7.4	3	6.9	7	6.4
Fuse rating (A)					
APPLIANCE DIMENSIONS					
Height (above worktop) (mm)		55			
Width (mm)	576	590	590	576	590
Depth (mm)	506	520	520	506	520
Net Weight (Kg)	10.9	10.8	10	7.74	7.9
APERTURE DIMENSIONS 1)					
Height (mm)		38			
Width (mm)	560	560	560	560	560
Depth (mm)	490	490	490	490	490
PACKAGING DIMENSIONS					
Height (mm)	118	108	108	118	108
Width (mm)	678	678	678	678	678
Depth (mm)	600	600	600	600	600
Gross weight (Kg)		11.5			
SAFETY AND INTERFERENCE SUPPRESSION					
Low Voltage Directive (LVD)	•	•	•	•	•
Electromagnetic Compatibility (EMC)	•	•	•	•	•
LITERATURE SUPPLIED					
Operation and installation instructions	•	•	•	•	•

**Notes**

1) Refer to user instructions before cutting out



ZEV6940FBA/XBV ZEE6940FXA/FWA ZE13921IBA ZGG35214XA ZES3921IBA ZEE3921IXA

HOB FEATURES					
Number of cooking zones	4	4	2	2	2
Control position	Front Right	Front Middle	Front Middle	Front Middle	Front Middle
Control type	Knobs	Knobs	Knobs	Knobs	Knobs
Residual heat/Hob on indicator	•				
Electronic timer					
Child lock					
Auto cut-off					
No of booster zones					
Automatic heat up					
Pot sensors					
Pan support					
ZONE SPECIFICATION					
Front left spec 2)	Ceramic	Solid Plate			
Front left rating 3) (kW)	1.8	1.5			
Front left diameter (mm)	180	145			
Front right spec 2)	Ceramic	Solid Plate			
Front right rating 3) (kW)	1.2	1.5			
Front right diameter (mm)	145	145			
Rear left spec 2)	Ceramic	Solid Plate			
Rear left rating 3) (kW)	1.2	2			
Rear left diameter (mm)	145	180			
Rear right spec 2)	Ceramic	Solid Plate			
Rear right rating 3) (kW)	1.8	2			
Rear right diameter (mm)	180	180			
Rear spec 2)			Induction	Rapid	Ceramic
Rear rating 3) (kW)			1.8	3	1.7
Rear diameter (mm)			180	100	180
Front spec 2)			Induction	Auxiliary	Ceramic
Front rating 3) (kW)			1.4	1	1.2
Front diameter (mm)			140	54	145
Front diameter (mm)					145
Total rating (max) (kW)	6	7	3.2	4	2.9
Fuse rating (A)					2.5
APPLIANCE DIMENSIONS					
Height (above worktop) (mm)					
Width (mm)	590	594	290	290	290
Depth (mm)	520	510	510	510	510
Net Weight (Kg)	7.9	7.1	5.6	9.7	3.8
Net Weight (Kg)					5.8
APERTURE DIMENSIONS 1)					
Height (mm)					
Width (mm)	560	560	270	270	270
Depth (mm)	490	480	490	490	490
PACKAGING DIMENSIONS					
Height (mm)	118	120	120	120	120
Width (mm)	678	680	400	400	400
Depth (mm)	600	620	620	620	620
Gross weight (Kg)					
SAFETY AND INTERFERENCE SUPPRESSION					
Low Voltage Directive (LVD)	•	•	•	•	•
Electromagnetic Compatibility (EMC)	•	•	•	•	•
LITERATURE SUPPLIED					
Operation and installation instructions	•	•	•	•	•

# COOKING: GAS HOBS



ZG076534BA



ZGG96624XA



ZG063414BA

HOB FEATURES	ZG076534BA	ZGG96624XA	ZG063414BA
Number of cooking zones	5	6	4
Ignition type	Integrated	Integrated	
Control position	Front Middle	Front Middle	Side Right
Control type	Rotary	Rotary	Rotary
Wok burner	•	•	•
Safety Thermocouples	•	•	•
Cast iron pan supports	5	3	4
Enamel Pan Supports			
Design	Gas on glass	Flat	Gas on glass
ZONE SPECIFICATION			
Front left spec 2)		Rapid	Rapid
Front left rating 3) (kW)	0	3.0	2.9
Front left diameter (mm)	0	100	100
Front right spec 2)	Semi Rapid	Triple	Auxiliary
Front right rating 3) (kW)	1.9	4.0	1
Front right diameter (mm)	70	122	54
Middle rear spec	Semi Rapid	Semi Rapid	
Middle rear rating (kW)	1.9	2.0	
Middle rear diameter (mm)	70	70	
Middle front spec 2)	Auxiliary	Semi Rapid	
Middle front rating 3) (kW)	1.0	2.0	
Middle front diameter (mm)	54	70	
Rear left spec 2)	Triple	Auxiliary	Semi Rapid
Rear left rating 3) (kW)	3.8	1.0	1.9
Rear left diameter (mm)	122	54	70
Rear right spec 2)	Semi Rapid	Auxiliary	Semi Rapid
Rear right rating 3) (kW)	1.9	1.0	1.9
Rear right diameter (mm)	70	54	70
ELECTRICAL CONNECTION			
Total rating (max 3) (kW)	10.5	13	7.7
Fuse rating (A)			
APPLIANCE DIMENSIONS			
Height (above worktop) (mm)			40
Width (mm)	740	894	580
Depth (mm)	510	510	510
Net Weight (Kg)	16.7	18.6	12.4
APERTURE DIMENSIONS 1)			
Height (mm)			40
Width (mm)	560	830	550
Depth (mm)	480	480	470
PACKAGING DIMENSIONS			
Height (mm)	160	150	150
Width (mm)	860	960	680
Depth (mm)	630	620	620
Gross weight (Kg)			13
SAFETY AND INTERFERENCE SUPPRESSION			
Low Voltage Directive (LVD)	•	•	•
Electromagnetic Compatibility (EMC)	•	•	•
LITERATURE SUPPLIED			
Operation and installation instructions	•	•	•



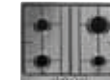
ZGG76524XA



ZGG66424XA/BA



ZGG75524XA



ZGG65414XA



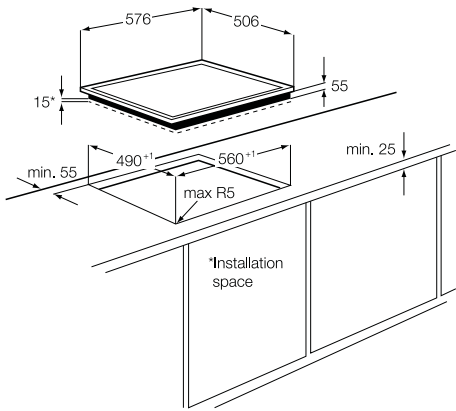
ZGG62414XA/WA

ZGG76524XA	ZGG66424XA/BA	ZGG75524XA	ZGG65414XA	ZGG62414XA/WA
4	4	5	4	4
Integrated	Integrated	Integrated	Integrated	Integrated
Front Middle	Front Middle	Front Middle	Front Middle	Right
Rotary	Rotary	Rotary	Rotary	Rotary
•	•	•	•	•
•	•	•	•	•
3	2			
Flat	Flat	3	2	2
		Flat	Flat	Flat
Semi Rapid	Semi Rapid	Semi Rapid Burner	Semi Rapid	Rapid
2.0	2.0	2.0	2.0	3.0
70	70	70	70	100
Auxiliary	Auxiliary	Auxiliary	Auxiliary	Auxiliary
1.0	1.0	1.0	1.0	1.0
54	54	54	54	54
Triple Crown		Triple Crown		
4.0		4		
122		122		
Semi Rapid	Semi Rapid	Semi Rapid	Semi Rapid	Semi Rapid
2.0	2.0	2.0	2.0	2.0
70	70	70	70	70
Rapid	Triple Crown	Rapid	Rapid	Semi Rapid
3.0	4.0	3.0	3.0	2.0
100	122	100	100	70
12	9	12	8	8
744	594	744	594	580
510	510	510	510	500
14.6	12.1	10.1	8.1	7.2
560	560	560	560	550
480	480	480	480	470
170	170	170	170	120
880	680	880	680	680
620	620	620	620	620
•	•	•	•	•
•	•	•	•	•
•	•	•	•	•

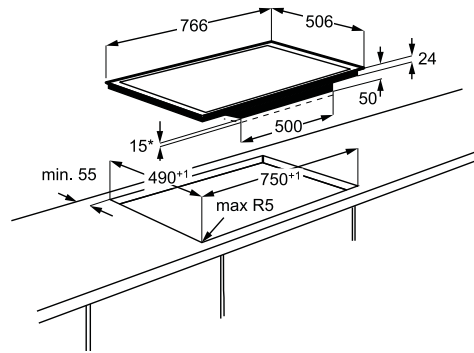
## Notes

- 1) Refer to user instructions before cutting out
- 2) For gas conversion purpose 3.450 btu=1kW

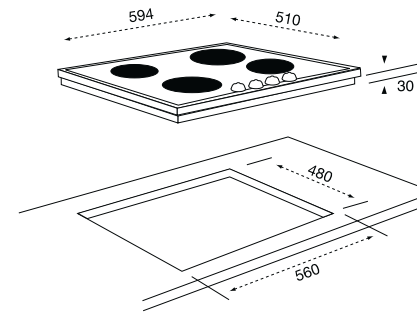
ZEI6640XBA



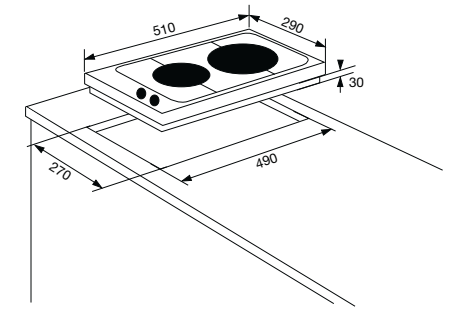
ZEI8640XBA



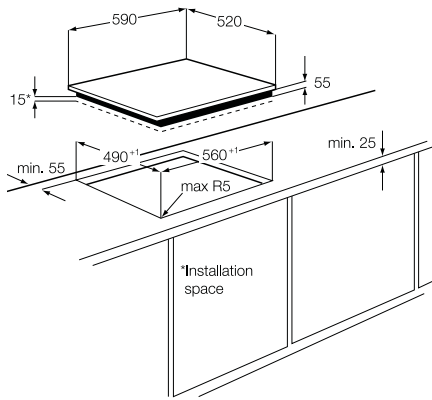
ZEE6940FXA



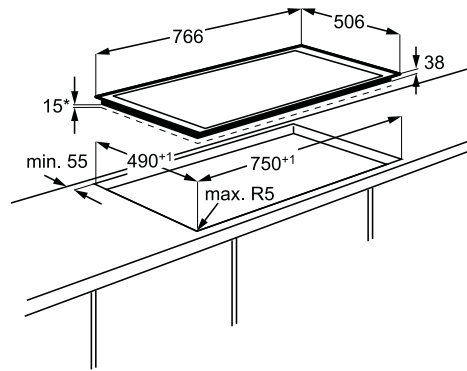
ZEE3921IXA / ZES3921IBA / ZGG35214XA / ZEI3921IBA



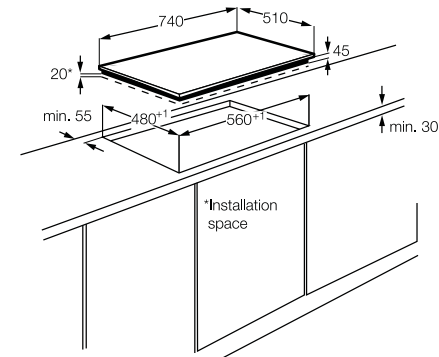
ZEI6240FBA / ZEV6240FBA / ZE16840FBA



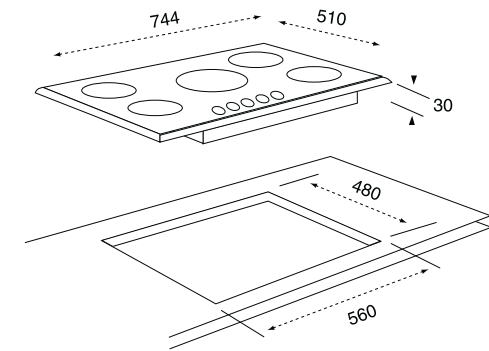
CODE REQUIRED



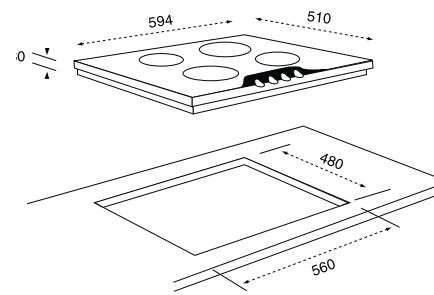
ZGO76534BA



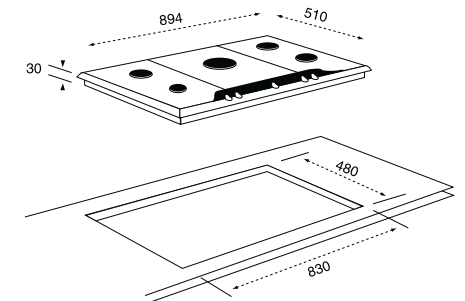
ZGG76524XA / ZGG75524XA



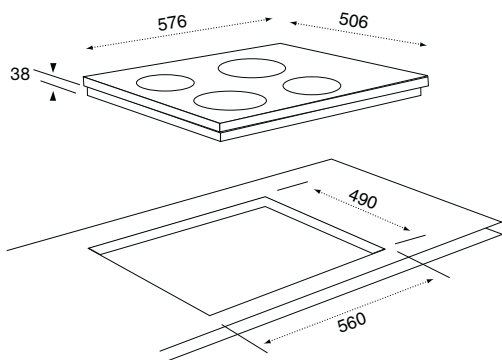
ZGG66424XA / ZGG65414XA



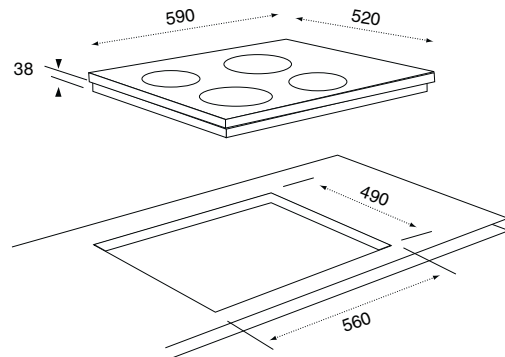
ZGG96624XA



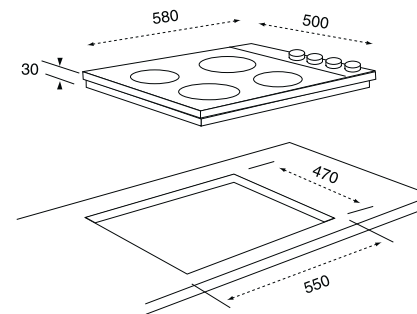
ZEV6646XBA



ZEV6940FBA



ZGG62414WA





# HOODS MADE EASY.



## MAKING THE RIGHT CHOICE

### HOOD OPTIONS

#### What's available?

Hoods either extract or re-circulate air. There are different types depending on your design preference and the available space in your kitchen. We have a range of different sizes and styles, matching powerful performance with stunning good looks.

#### Is a hood easy to maintain?

Very. Some of our hoods have washable filters that you can pop in your dishwasher. Others have saturation filters, which let you know when they need changing.



## SLEEK AND MODERN

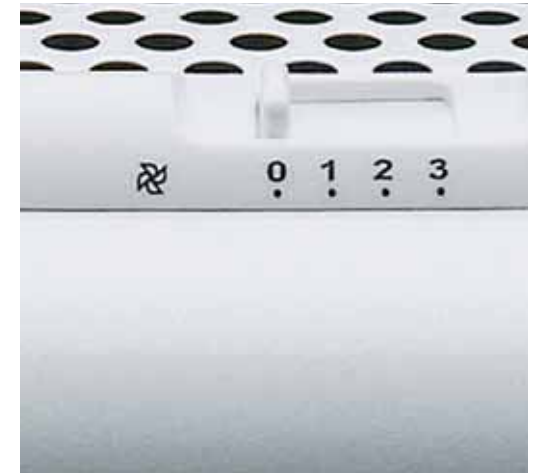
### CHIMNEY HOODS

#### Will it suit any kitchen design?

Besides being functional, hoods are also a key design feature, complementing any kitchen. Take your pick from one of the many different styles within our range, from square to round shapes, with glass curves or a stainless steel finish.

#### Does it provide extra lighting?

Yes, with Clear View. Halogen lights on the hood illuminate the hob so you can clearly see what you're cooking.



## HIDDEN OR BUILT-IN

### INTEGRATED AND TRADITIONAL HOODS

#### How discrete will it be?

Both types of hood will fit seamlessly into your kitchen. Our integrated hoods sit behind a door when not in use. Simply pull out the hood when you need it and fold it away when you're done, making it the ideal choice where space is tight. Traditional hoods are built neatly under a wall cupboard, with easy-to-reach controls.

#### Is it easy to use?

Yes, you'll find either a simple mechanical slider control or push buttons.

# A GUIDE TO OUR COOKING ICONS

What do the new Zanussi Quadro™ cooking appliances do and why? Here's your quick guide to our handy functions and features.

## HOODS FEATURE



### Speed Settings

With 3 or 4 speed levels to choose from and even an intensive setting on some models, Zanussi hoods deliver extremely high extraction rates.



### 20m<sup>2</sup>

Suitable for kitchens up to this size, for optimum performance and clean air control.



### 16m<sup>2</sup>

Suitable for kitchens up to this size, for optimum performance and clean air control.



### 12m<sup>2</sup>

Suitable for kitchens up to this size, for optimum performance and clean air control.



### Filters

Keep the kitchen fresh with Zanussi's easy to use filters. The majority of cooker hoods come with metal grease filters that can be washed in the dishwasher.



### Low Noise Level

Zanussi hoods operate at a low noise level, which means that your kitchen is a fresh, quiet place to cook.



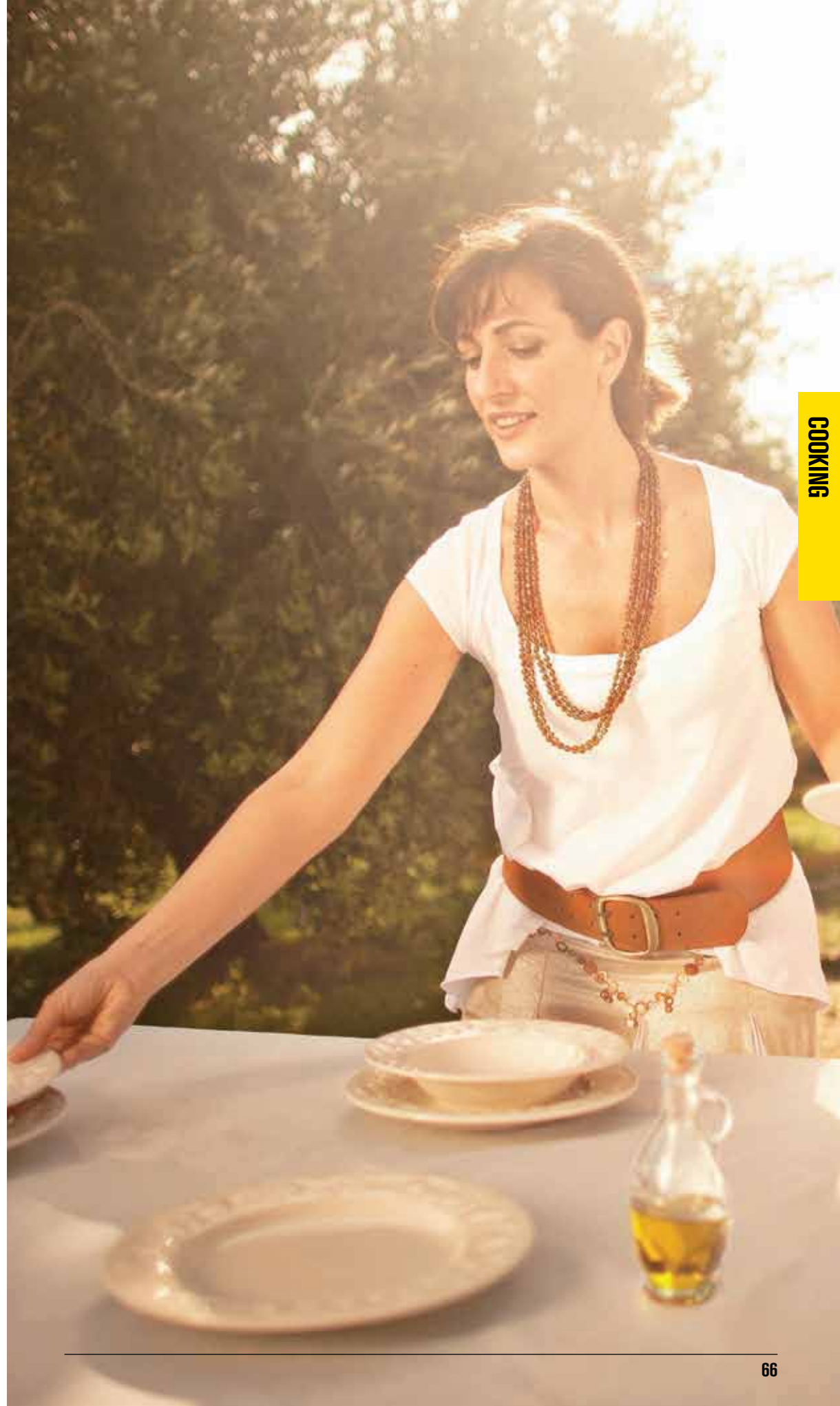
### Recirculation

The hood draws in odours hanging in the air and re-circulates the clean air back into the kitchen. Charcoal filters are available as an optional accessory for those that do not.



### Ducted

A more efficient mode of extraction, the hood is located near to an external wall and requires a ducting kit to extract odours outside. Ducting kits are available as an optional accessory.



**ZHC66540XA**



Eye catching designer hood with glass canopy which will look stunning in any modern kitchen.

**Specifications**

- Stylish designer hood
- Variable 3 speed control plus intensive setting
- Push button controls
- 2 x halogen lights for bright illumination of the cooking area
- 1 washable metal grease filter
- 67dB(A) noise level
- Charcoal filter optional extra (EFF72)

**Dimension Options**

ZHC66540XA - 60cm



**ZHC9234X**



The sleek design of this hood will give your kitchen an extra stylish look.

**Specifications**

- Stylish curved glass design
- Variable 3 speed control
- Push button controls
- 2 x halogen lights for bright illumination of the cooking area
- 1 washable metal grease filter
- 65.5dB(A) noise level
- Charcoal filter optional extra (type 15)

**Dimension Options**

ZHC6234X - 60cm

ZHC9234X - 90cm



### ZHC9244X



The sleek design of this hood will give you an extra stylish look.

#### Specifications

- Stylish designer stainless steel hood
- Variable 3 speed control
- Push button controls
- 2 x halogen lights for bright illumination of the cooking area
- 1 washable metal grease filter
- 68dB(A) noise level
- Charcoal filter optional extra (type 15)

#### Dimension Options

ZHC9244X - 90cm  
ZHC6244X - 60cm

For installation diagrams see page 75



### ZHC6239X



The sleek design of this hood will give you an extra stylish look.

#### Specifications

- Variable 3 speed controls
- Push button controls
- 2 x halogen lights for bright illumination of the cooking area
- 1 washable metal grease filter
- 61dB(A) noise level
- Charcoal filter optional extra (EFF72)

#### Dimension Options

ZHC6239X - 60cm

For installation diagrams see page 75



### EFC9015X



The effortless and clean design of this chimney cooker hood will complement your other kitchen appliances.

#### Specifications

- Variable 3 speed control
- Slider controls
- 1 x halogen light - for good visibility
- 3 washable aluminium metal grease filters
- 67dB(A) noise level
- Charcoal filter option (EFF75)

#### Colour and Dimension Options

EFC60151X - Stainless Steel  
EFC60151W - White  
EFC60151K - Black  
EFC90151X - Stainless Steel  
EFC90151K - Black

For installation diagrams see page 75



**ZHI611G**



This cooker hood seamlessly integrates under your kitchen cabinets and leaves your kitchen open and clean.

Push button controls make it easy to adjust the extraction rate of this cooker hood.

**Specifications**

- Variable 3 speed control
- Slider control
- 2 hob lights for good visibility
- Synthetic grease filter with saturation indicator
- Charcoal filter optional extra (EFF62)

**Colour Options**

ZHI611G - Grey

For installation diagrams see page 76



**ZHT610**



This cooker hood combines a traditional hood design with a choice of colours, from stainless steel to black and white.

**Specifications**

- Variable 3 speed control
- Slider controls
- 2 x halogen lights for bright illumination of the cooking area
- Synthetic grease filter with saturation indicator
- Charcoal filter optional extra (EFF57)

**Colour Options**

ZHT610X - Stainless steel  
 ZHT610W - White  
 ZHT610K - Black

For installation diagrams see page 76



**EFB60X**

Stylish stainless steel splashbacks.

**Specifications**

- Complements our range of stainless steel ovens, hobs and hoods
- Easy to wipe clean

**Colour and Dimensions Options**

EFB60X - 60cm x 70cm  
 EFB90X - 90cm x 70cm  
 EFB675X - 60cm x 75cm  
 EFB975X - 90cm x 75cm  
 EFB175X - 100cm x 75cm

For installation diagrams see page 76

# COOKING: HOODS



SPECIFICATION	ZHC66540XA	ZHC9234X	ZHC6234X	ZHC9244X
Fan speeds	3	3	3	3
Control type	Push buttons	Push buttons	Push buttons	Push buttons
Hob illumination (H=halogen) (Watts)	2x20	2x20	2x20	2x20
Extraction/recirculation operation	•	•	•	•
Grease filters	•	•	•	•
<b>INSTALLATION HEIGHT FROM</b>				
Electric hob (mm)		500	500	500
Gas hob (mm)		650	650	650
<b>DIMENSIONS</b>				
Extraction maximum ca.m <sup>3</sup> /h	520	515	515	375
Recirculation maximum ca.m <sup>3</sup> /h	300	325	325	225
Recirculation intensive ca.m <sup>3</sup> /h	320			
Noise (max. setting) extraction dB(A)	67	65.5	65.5	61
Recirculation noise (max. setting) dB(A)	62	71.0	71.0	68
<b>ADDITIONAL EQUIPMENT REQUIRED</b>				
For ducting: Ventilation hose and wall box				
Ventilation hose: diameter (mm)		150	150	150
For recirculation: (optional accessory) charcoal filter	EFF72	type15	type15	type15
<b>ELECTRICAL CONNECTION</b>				
Connected load (Watts)				
Fuse rating (A)	13	13	13	13
<b>APPLIANCE DIMENSIONS</b>				
Height for extraction (mm)	769 - 1044	672 - 1130	672 - 1130	622 - 1152
Height for recirculation (mm)	769 - 1044	672 - 1130	672 - 1130	699 - 1152
Width (mm)	598	900	600	898
Depth (mm)	485	450	450	450
Net weight (kg)	15.0	15.8	14.0	13.8
<b>PACKAGING DIMENSIONS</b>				
Height (mm)	570	570	570	570
Width (mm)	680	980	686	980
Depth (mm)	515	515	515	515
Gross weight (kg)	22.0	22.3	20.0	18.7
<b>SAFETY &amp; INTERFERENCE SUPPRESSION</b>				
Low Voltage Directive (LVD)	•	•	•	•
Electromagnetic Compatibility (EMC)	•	•	•	•
<b>LITERATURE SUPPLIED</b>				
Operation and installation instructions	•	•	•	•

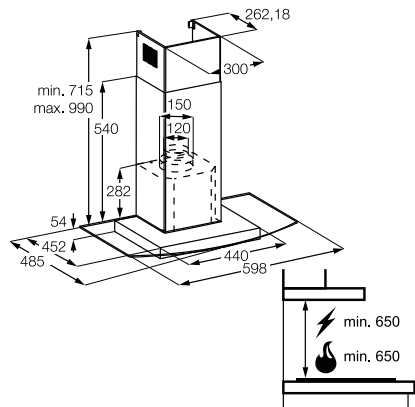


SPECIFICATION	ZHC6244X	ZHC6239X	EFC60151X/EFC90151	ZH611G	ZHT610
Fan speeds	3	3	3	3	3
Control type	Push buttons	Push buttons	Slider	Slider	Slider
Hob illumination (H=halogen) (Watts)	2x20	2x40	2x40	2x40	2x40
Extraction/recirculation operation	•	•	•	•	•
Grease filters	•	•	•	•	•
<b>INSTALLATION HEIGHT FROM</b>					
Electric hob (mm)	500	500	650	650	650
Gas hob (mm)	650	650	650	650	650
<b>DIMENSIONS</b>					
Extraction maximum ca.m <sup>3</sup> /h	375	395	430	210	200
Recirculation maximum ca.m <sup>3</sup> /h	225	290	270	180	165
Recirculation intensive ca.m <sup>3</sup> /h					
Noise (max. setting) extraction dB(A)	61	61	61	62	61
Recirculation noise (max. setting) dB(A)	68	60	60	61	60
<b>ADDITIONAL EQUIPMENT REQUIRED</b>					
For ducting: Ventilation hose and wall box			•		
Ventilation hose: diameter (mm)	150	150	150	100	100
For recirculation: (optional accessory) charcoal filter	type15	EFF72	EFF75	EFF62	EFF57
<b>ELECTRICAL CONNECTION</b>					
Connected load (Watts)			230		
Fuse rating (A)	13	13	13	13	13
<b>APPLIANCE DIMENSIONS</b>					
Height for extraction (mm)	622 - 1152	628 - 893	670 - 925	350	129
Height for recirculation (mm)	699 - 1152	673 - 893			
Width (mm)	598	598	598	598	598
Depth (mm)	450	470	502	270	450
Net weight (kg)	11.9	17.86	8.4	10.5	6.2
<b>PACKAGING DIMENSIONS</b>					
Height (mm)	570	405	645	410	510
Width (mm)	980	775	680	700	645
Depth (mm)	515	645	410	330	180
Gross weight (kg)	15.8	18.6	10.28	11.9	7.2
<b>SAFETY &amp; INTERFERENCE SUPPRESSION</b>					
Low Voltage Directive (LVD)	•	•	•	•	•
Electromagnetic Compatibility (EMC)	•	•	•	•	•
<b>LITERATURE SUPPLIED</b>					
Operation and installation instructions	•	•	•	•	•

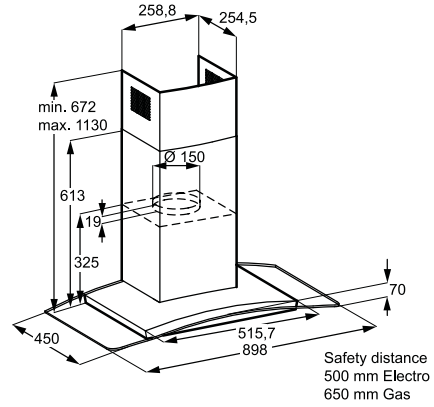
## Notes

- 1) For installation aperture dimensions see installation instructions
- 2) CDK5F120mm (5") diameter flexible ducting kit, 1 metre length.  
For use with all hoods up to 1 metre ducting.  
CDK5FR  
120mm (5") diameter flexible ducting kits for ducting of hoods situated away from exterior wall, up to 3 metres.  
CDK6FR  
150mm (6") diameter ducting kits for ducting of hoods situated away from exterior wall, up to 3 metres.
- 3) 120cm outlet adaptor included

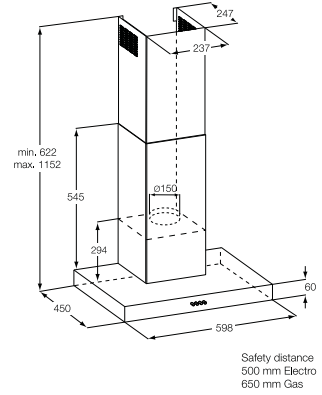
ZHC66540XA



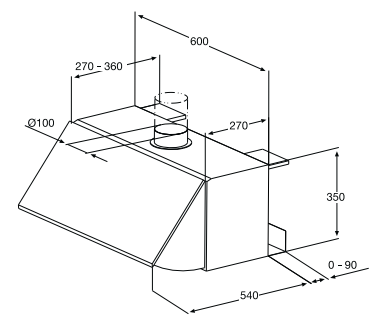
ZHC9234X



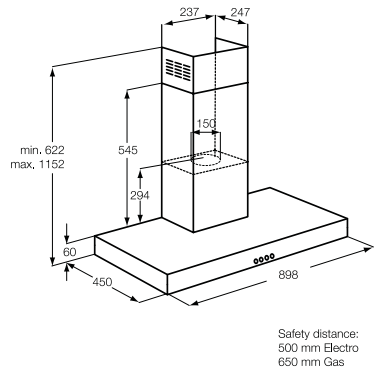
ZHC6234X



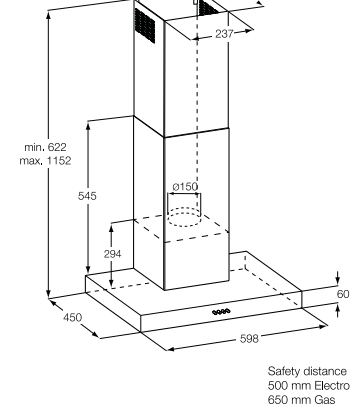
ZHI611G



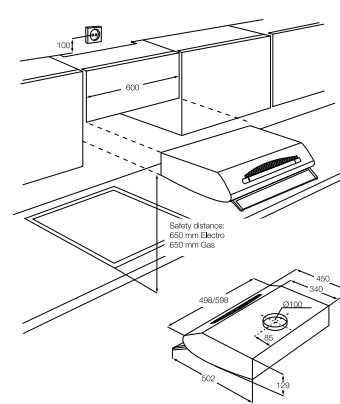
ZHC9244X



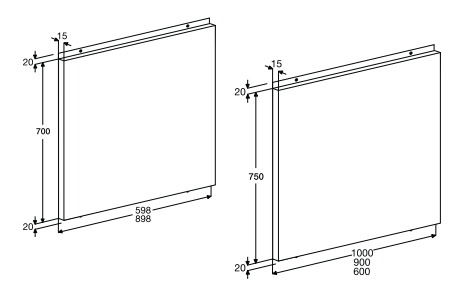
ZHC6244X



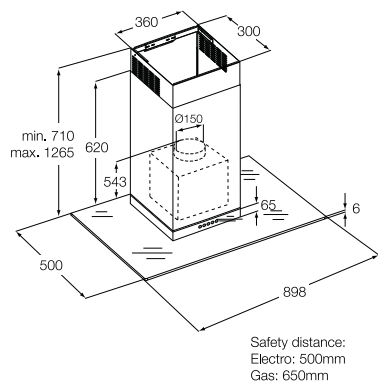
ZHT610



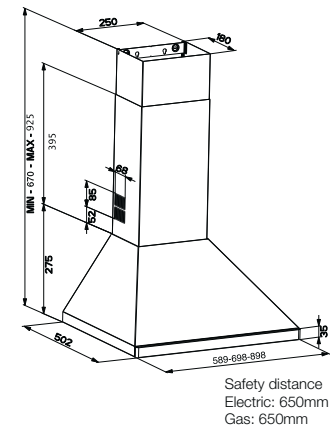
EFB60X/EFB90/EFB675/EFB975/EFB175



ZHC6239X



EFC90151X/W/K





**ZCM1031X**



When the flame goes out, the gas shuts off automatically, so there's no need to worry.

Make cooking a more enjoyable part of your life with a multifunction oven, combining the benefits of a fan and conventional oven with additional functions like pizza and thermal grilling.

**Specifications**

- Thermaflow® fan cooking system for an even temperature
- Come home to a tasty casserole or slow roast with the convenience of slow cooking
- 2 rapid burners, 2 semi-rapid burners, 1 triple crown wok burner
- Cast iron pan supports
- Fully programmable main oven timer
- Clear 'n' clean enamel liners
- Air cooled triple glazed doors

**Second Oven Functions**

- 4 second oven functions, including conventional cooking and grilling

**Main Oven Functions**

- 7 multifunction main oven, including pizza oven and thermal grilling

**Colour Options**

ZCM1031X - Stainless Steel

**Wok burner**

Ideal for stir-fries, our wok burner provides maximum heat to ensure all your wok cooking is effortlessly prepared.



ZCM1031X

OVEN FUNCTIONS	LEFT/RIGHT
Thermaflow® fan operated	•/
Thermal grilling	•/
Pizza setting	•/
Conventional cooking	•/•
Full grill	•/•
Top heat	•/•
Bottom heat	/•
Slow Cooking	•/

OVEN FEATURES	
Control Type	Rotary
Fully programmable electronic clock	•
Oven doors	Triple
Clear 'n' Clean Enamel	•

HOB FEATURES	
Number of cooking zones	5
Ignition Type	Integrated
Cast Iron Pan Supports	•
Front Left Spec 1)	Rapid
Front Left Rating 2) (kW)	3
Front Left Diameter (mm)	100
Rear Left Spec 1)	Semi-Rapid
Rear Left Rating 2) (kW)	1.75
Rear Left Diameter (mm)	75
Front Right Spec 1)	Semi-Rapid
Front Right rating 2) (kW)	1.75
Front Right Diameter (mm)	75
Rear Right Spec 1)	Rapid
Rear Right Rating 2) (kW)	3
Rear Right Diameter (mm)	100
Middle Spec 1)	Triple Crown
Middle Rating 2) (kW)	3,3
Middle Front Diameter (mm)	130

ENERGY INFORMATION	
Energy class	B/B
Energy efficiency class in mode	Static/Static
Energy consumption static (kW/h)	0.93/0.78
Energy consumption fan (kW/h)	0.99/NA

EQUIPMENT SUPPLIED	
Chrome grid runners	•
Chrome auto-stop non-tip shelves	•
Grill/meat pan	•

ELECTRICAL CONNECTION	
Voltage	230/240
Frequency	50
Oven power (max) (kW)	2.1/1.7
Grill power (max) (kW)	1.7/1.7
Fuse rating	20

APPLIANCE DIMENSIONS	
Height (mm)	910 max
Width (mm)	1000
Depth (mm)	600
Net Weight (kg)	95

INTERNAL DIMENSIONS (LEFT/RIGHT)	
Volume (usage) (litres)	52/31
Height (mm)	330/330
Width (mm)	370/220
Depth (mm)	427/427

PACKAGING DIMENSIONS	
Height (mm)	1145
Width (mm)	1065
Depth (mm)	750
Gross Weight (kg)	113





# EASY COOLING

---

Now, accommodating a full weekly shop is no problem. Our energy-efficient appliances are also cheaper to run and kinder to the environment.

---

Fridge-freezers	85
In-Column Fridges and Freezers	89
Under Counter Fridge and Freezers	93
How they compare	95

---

# REFRIGERATION MADE EASY.



## FOR ANY SIZE OF SPACE

### CHOOSING THE RIGHT APPLIANCE

#### What's best where space is limited?

Under-counter appliances sit neatly beneath a worktop, maintaining the plinth line. With front ventilation, there's no need for unsightly vents to be fitted to the worktop. Just add a furniture door.

#### What are the options for a large kitchen?

Our in-column refrigeration appliances can be installed in a tall housing unit, giving you the flexibility of having a separate fridge, freezer or combined fridge-freezer. We have a solution to fit all available spaces.

#### Door on Door hinge explained

The benefits of this type of hinge are that you can add more weight to the door and open it at a larger angle, making access and use easier.

#### Sliding hinge explained

The hinged furniture door is attached to the appliance with a number of brackets. As the furniture door opens, the appliance door is opened via the sliding bracket arrangement.



## MORE FRESH FOOD

### FRIDGE-FREEZERS

#### Will it hold a week's shopping?

Yes, our Space+ fridge-freezers have an extra-large capacity and will even accommodate family packs.

#### Will food last longer?

Some models in our fridge-freezer range have Crisp No Frost technology. This ensures that humidity levels are maintained in the fridge whilst the temperature is kept at a low stable rate, resulting in food being preserved properly, staying fresh for as long as possible.



## TOTAL CONVENIENCE

### FREEZERS

#### Can food be frozen for a long period?

Yes, up to 12 months. All of our freezers have a 4-star freezer rating.

#### Can food be frozen quickly?

Check out our selected freezers models with the quick-freeze button. Press it to lower the temperature instantly, rapidly freezing newly added food for maximum freshness. The temperature returns to pre-set levels automatically.

#### Is there a way to avoid defrosting the freezer?

Yes, you'll never have to do this chore again with one of our frost-free models, which prevents ice build up.

#### Can it help organise food storage?

With transparent freezer drawers, you'll find what you need or where to put it with ease.



## USES LESS ENERGY

Our new Quadro™ cooling appliances have an outstanding A+ energy rating.

# A GUIDE TO OUR COOLING ICONS

What do the Zanussi cooling appliances do and why? Here's your quick guide to our handy functions, safety features and energy ratings.



## FAST



### Quick Freeze

For fresher, safer food storage switch on the quick freeze function before you go to the supermarket, it lowers the freezer temperature, protects the contents and quickly freezes food. The freezer will automatically return to the preset temperature.



### Quick Chill

For fresher, safer food storage switch on the quick chill function before you go to the supermarket, it lowers the fridge temperature to quickly and safely cool your fresh food.



### Width

Width of appliance.



### Height

Height of the appliance.



### Capacity

Lite capacity of the appliance.



## HANDY



### Low Frost

Our low frost technology means that it is easier and quicker to defrost, and you may only have to defrost every 2 years.



### LED

Have clear visibility of your fridge contents with the ultra energy efficient and bright LED lighting.



### No Frost

Save time and make all those defrosting chores a thing of the past with a frost free freezer which defrosts itself.

## WHAT TO LOOK OUT FOR...



**Fast.** Clever Zanussi features to get things cooler, quicker.



**Handy.** The things you couldn't live without.



**Simple.** The touches that make Zanussi so easy to use.



**Smart.** Practical solutions from great Zanussi thinking.



## SIMPLE



### Electronic Controls

Many of our models offer precise temperature control and functions such as Quick Freeze or Quick Chill function through simple internal or external electronic controls.



### AirFlow+ Fan

Say goodbye to hotspots as the internal AirFlow+ fridge fan ensures even temperatures throughout the fridge.



## SMART



### Energy

All Zanussi models are either A+ or A++ energy rated, making them cheaper to run and kinder to the environment.



### TwinTech™ NoFrost

TwinTech NoFrost technology ensures that food stays cold and doesn't dry out, resulting in it staying fresher for longer.



### 4 Star Freezing

All of Zanussi's static and frost free freezers have a 4 star rating. This enables you to store and freeze food for up to 12 months.



### Space+

Standard dimensions outside, but extra space inside. With Space+ you can store more food, so you can shop less and save time.

## ZBB27650SA



With a frost free freezer there is no need to defrost - saving you a chore!  
This model gives a good balance of fresh food and frozen food storage as it is equally split between fridge and freezer.

### Specifications

- Touch control electronics provide instant temperature response
- Ensure your food stays fresher for longer with the Quick Chill function
- Quick freeze function with auto switch off
- This model is only A+ energy rated, using less energy, saving you money
- Auto fridge defrost
- View contents at a glance with the bright LED lighting
- 4 full width glass shelves, of which 3 are adjustable
- 2 large salad crispers with glass cover
- 4 full width, transparent freezer drawers
- Covered dairy compartment
- 2 full width door shelves
- 4 star freezer can store frozen food for up to 12 months and freeze down fresh food
- Removable egg tray
- Hinge type: sliding door
- Reversible door hinge



For installation diagrams see page 97

## ZBB28650SA



With a frost free freezer there is no need to defrost - saving you a chore!  
This A+ energy rated fridge freezer uses less energy, saving you money.

### Specifications

- Easy to understand electronic display
- Transparent freezer drawers
- Quick freeze function
- Large capacity food storage space
- Automatic defrost in fridge
- 2 half width salad drawers
- 3 freezer drawers
- Fast freeze function with auto switch-off
- 1 full width covered dairy compartment
- 3 full width door shelves
- 4 full depth glass shelves
- Removable egg tray
- Hinge type: Sliding door
- Reversible door hinge



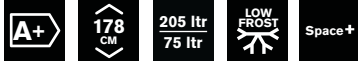
For installation diagrams see page 97

### More benefits of frost free

As well as saving you the chore of having to defrost the freezer, you also get the benefit of no loss of storage space, no deterioration of energy consumption due to ice build up and food is preserved individually together so things don't stick together.

## COOLING: FRIDGE FREEZERS

### ZBB28441SA



With new LowFrost technology there is less ice build up in the freezer - so you don't need to defrost as often!

This energy efficient fridgefreezer is A+ energy rated, using less energy, saving you money.

#### Specifications

- Easy to use controls
- Easy clean shelves
- Large capacity food storage
- Automatic defrost in fridge
- 2 half width salad drawers
- 3 freezer drawers
- 5 full width glass shelves, of which 4 are adjustable
- 1 full width covered dairy compartment
- 3 full width door shelves
- 3 large transparent freezer drawers
- 4 star freezer can store frozen food for up to 12 months and freeze down fresh food
- Removable egg tray
- Hinge type: Sliding hinge
- Reversible door



For installation diagrams see page 97



### ZBB28440SA



This model gives a good balance of fresh food and frozen food storage as it is equally split between fridge and freezer.

#### Specifications

- Easy to use controls
- Easy clean glass shelves
- Transparent freezer drawers
- Automatic defrost in fridge
- 2 half width salad drawers
- 2 height adjustable glass shelves
- 1 full width covered dairy compartment
- 3 full width door shelves
- 4 freezer drawers
- Removable egg tray
- Hinge type: Sliding door
- Reversible door hinge



For installation diagrams see page 97



### ZBB24430SA



At 145cm tall this integrated fridge freezer is ideal for small kitchens or where space is at a premium. This extra-efficient A+ fridge-freezer uses less energy, saving you money.

#### Specifications

- Automatic defrost in fridge
- 2 half width salad drawers
- 2 height adjustable glass shelves
- 2 large transparent freezer drawers
- 1 full width covered dairy compartment
- 3 full width door shelves
- Removable egg tray
- Hinge type: Sliding door



For installation diagrams see page 97

## COOLING: IN COLUMN FRIGDES AND FREEZERS

### ZBA32050SA



This large capacity fridge is ideal for large and busy families who need lots of fresh food at their fingertips.

Ensure your food stays fresher for longer with the Quick Chill function.

#### Specifications

- Large capacity fresh food storage space
- Electronic controls allow you to set the temperature at your desired temperature
- Auto fridge defrost
- View contents at a glance with the bright LED lighting
- 1 extra large telescopic salad drawer
- 1 full width covered dairy compartment
- 4 full width door shelves
- 6 full width glass shelves, of which 5 are adjustable
- 323ltr gross capacity
- Removable egg tray
- Hinge type: Sliding door
- Can be integrated in column with ZBF22451SA



For installation diagrams see page 97

### ZBF22451SA



This large capacity freezer is the perfect storage solution for busy families who buy and freeze in large quantities.

Save yourself a chore, this freezer defrosts itself.

#### Specifications

- Large capacity frozen food storage space
- Touch control electronics provide instant temperature response
- 7 freezer compartments, including 5 full width drawers and 2 with fold down openings
- High temperature alarm
- Quick freeze function with auto switch off
- Door open alarm
- A+ energy
- Reversible door
- Freezing capacity: 20kg/24hrs
- Hinge type: Sliding door
- Can be integrated in column with ZBA32050SA



For installation diagrams see page 97

## COOLING: IN-COLUMN FRIDGES AND FREEZERS

### ZBA22420SA



The 4 star freezer in this fridge lets you freeze your food without a separate freezer, and at only 122cm tall it's ideal for small kitchens.

#### Specifications

- Auto fridge defrost
- A+ energy rating
- Large capacity fresh food storage space
- 17 litre 4 star freezer compartment
- 1 large salad drawer
- 4 full width drawer shelves
- 1 full width covered dairy compartment
- 3 full width glass shelves
- 198 litre gross fridge capacity
- Removable egg tray
- Hinge type: sliding drawer



#### 4 star ice box

Ideal for compact kitchens, fridges with 4 star iceboxes are the ideal solution as you have space for your fresh food, combined with freezer space.

A 4 star ice box allows you to store frozen food for up to 12 months and safely freeze food.

For installation diagrams see page 97



### ZBA15021SA



This fridge has an A+ class energy rating, saving you money.

#### Specifications

- Auto fridge defrost
- Large capacity fresh food storage space
- 1 extra large salad drawer
- 1 full width covered dairy compartment
- 2 full width door shelves
- 3 full width glass shelves for flexible storage
- 147 litre gross fridge capacity
- Removable egg tray
- Hinge type: Sliding door

Can be integrated in column with ZBF11420SA freezer



For installation diagrams see page 97



### ZBF11420SA



Always find what you are looking for with our removable transparent freezer baskets, easier for loading and unloading.

This freezer has an A+ class energy rating, saving you money.

#### Specifications

- Large capacity frozen food storage space
- 3 large capacity freezer drawers
- 1 freezer compartment with flap opening
- High temperature alarm
- Quick freeze function with automatic reset
- Thermostat control knob
- Reversible door
- Freezing capacity: 16kg/24hrs
- Hinge type: Sliding door

Can be integrated in column with ZBA15020SA larder fridge



For installation diagrams see page 97

## COOLING: UNDER COUNTER FRIDGES AND FREEZERS



### ZQA12430DA



The 4 star freezer compartment in this fridge lets you freeze your food without a separate freezer.

This fridge has an A+ class energy rating, saving you money.

The controls are so easy to understand, it's almost intuitive.

#### Specifications

- Auto fridge defrost
- 17 litre 4 star freezer compartment
- Large capacity fresh food storage space
- 1 full width and 1 half width door shelves
- 1 extra large recessed salad drawer
- 1 full width covered dairy compartment
- 2 height adjustable glass shelves
- 105 litre gross fridge capacity
- Removable egg tray
- Hinge type: Fixed door on door
- Reversible door



For installation diagrams see page 97



### ZQA14030DA



This fridge has an A+ class energy rating, saving you money.

#### Specifications

- Auto fridge defrost
- Large capacity fresh food storage space
- 1 extra large recessed salad drawer
- 1 full width covered dairy compartment
- 3 full width glass shelves for flexible storage
- 140 litre gross fridge capacity
- Removable egg tray
- Hinge type: Fixed door on door
- Reversible door

Matching freezer:  
ZQA14030DA



For installation diagrams see page 97



### ZQA14030DA



For fresher, safer food storage switch on Zanussi's fast freeze function before you go to the supermarket, it lowers the freezer temperature, protects the contents and quickly freezes fresh food.

This freezer has an A+ class energy rating, saving you money.

#### Specifications

- 3 large freezer drawers plus unique recessed drawer
- Quick freeze function with automatic reset
- Thermostat control knob
- External controls
- Door open warning alarm
- Reversible door
- Freezing capacity: 18kg/24hrs
- Hinge type: Fixed door on door

Matching fridge:  
ZQA14030DA



For installation diagrams see page 97

#### 4 star freezing

All of Zanussi's static and frost free freezers have a 4 star freezer rating. This enables you to store and freeze food for up to 12 months.



# COOLING: FRIDGE FREEZERS



	No-Frost 50:50 fridge freezer	Frost Free 70:30 fridge freezer	Low Frost 70:30 fridge freezer	50:50 fridge freezer	70:30 fridge freezer
<b>FRIDGE FEATURES</b>					
Defrost	auto	auto	auto	auto	auto
Electronic controls	Touch control	•	•	•	•
Quick chill	In LCD display	•	•	•	•
Mechanical temperature controls	•	•	•	•	•
Adjustable thermostat coin/ knob	•	Knob	Knob	Knob	Knob
Dairy compartment	•	•	•	•	•
Full width door shelves	2	4	3	3	3
Air circulation fan	•	•	•	•	•
Glass shelves (full depth)	3	4	4	2	2
Glass shelves (half depth)	•	•	•	•	•
Flexible shelf positions	•	•	•	•	•
2 half width salad bins with full width glass cover	•	•	•	•	•
Interior light	LED lighting	•	•	•	•
Egg tray	•	•	•	•	•
<b>FREEZER FEATURES</b>					
Defrost - freezer	auto	auto	Low frost	manual	manual
Electronic temperature controls	•	•	•	•	•
On LED (Green)	In LCD display	•	•	•	•
Quick Freeze Function with timed auto switch off	•	•	•	•	•
Fast freeze LED (Yellow)	In LCD display	•	•	•	•
High temperature warning LED (Red)	In LCD display	•	•	•	•
High temperature warning audible buzzer	•	•	•	•	•
Freezer compartments (flap/ drawers)	0/4	0/3	0/3	0/4	0/2
Transparent freezer compartments	•	•	•	•	•
Freezer calendar	•	•	•	•	•
Ice cube tray	•	•	•	•	•
Ice scraper	•	•	•	•	•
<b>OTHER FEATURES</b>					
Reversible Doors	•	•	•	•	•
100% CFC free	•	•	•	•	•
100% HFC free	•	•	•	•	•
Fridge freezer split	50:50	70:30	70:30	50:50	70:30
Gross capacity fridge litres (cu.ft)	161 (5.7)	214 (7.6)	205 (7.2)	173 (6.1)	173 (6.1)
Net capacity fridge litres (cu.ft)	158 (5.6)	210 (7.4)	202 (7.1)	170 (6.0)	170 (6.0)
Gross capacity freezer litres (cu.ft)	108 (3.8)	68 (2.4)	75 (2.6)	110 (3.9)	62 (2.2)
Net capacity freezer litres (cu.ft)	88 (3.1)	55 (1.9)	75 (2.6)	92 (3.3)	60 (2.1)
Frozen food rating	4 star	4 star	4 star	4 star	4 star
<b>PERFORMANCE</b>					
Annual energy consumption (kWh) 2)	307	309	297	298	249
Energy efficiency class 1)	A+	A+	A+	A+	A+
Energy efficiency index (%)	41.9	43.8	41.86	43.8	43.8
Climate class 4)	SN-T	SN-ST	SN-T	SN-ST	SN
Noise (dB (A))	38	40	36	36	34
Freezing capacity (kg/24hr)	10	4	4	10	4
Power cut safe rising time (hr) 3)	25	21	22	24	20
Minimum ambient temperature (°C)	10	10	10	10	10
<b>ELECTRICAL CONNECTION</b>					
Connected load Watts	160	150	200	140	150
Fuse rating A	13	13	13	13	13
<b>PRODUCT DIMENSIONS</b>					
Height x Width x Depth (mm)	1772 x 540 x 547	1772 x 540 x 547	1772 x 540 x 547	1772 x 540 x 547	1441 x 540 x 549
Net Weight (kg)	59.5	57.5	57.0	57.5	48.0
<b>BUILT-IN DIMENSIONS</b>					
Height x Width x Depth (mm)	1780 x 560 x 550	1780 x 560 x 550	1780 x 560 x 550	1780 x 560 x 550	1446 x 560 x 550
Door Fixing	Slider	Slider	Slider	Slider	Slider
<b>PACKAGING INFORMATION</b>					
Height x Width x Depth (mm)	1840 x 590 x 600	1860 x 610 x 620	1840 x 590 x 600	1860 x 610 x 620	1530 x 610 x 620
Gross Weight (kg)	61.5	62.0	59.0	62.0	52.0
<b>LITERATURE SUPPLIED</b>					
Operation and instruction manuals	•	•	•	•	•

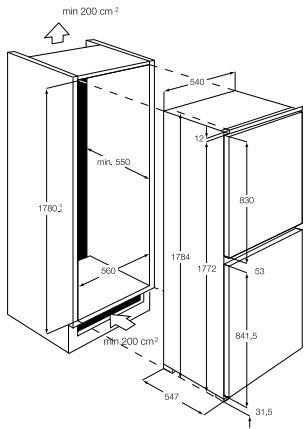


	In-column larder fridge	In-column Freezer	In-column fridge with 4 star freezer	In-column larder fridge	In-column freezer	Under counter fridge with 4 star freezer	Under counter larder fridge	Under counter freezer
<b>FRIDGE FEATURES</b>								
Defrost	auto	•	auto	auto	•	auto	auto	•
Adjustable thermostat coin/ knob	Electronic	•	Knob	Knob	•	Knob	Knob	•
Quick chill	•	•	•	•	•	•	•	•
Dairy compartment	•	•	•	•	•	•	•	•
Full width door shelves	4	•	4	3	•	2	2	•
Glass shelves (full depth)	6	•	3	4	•	1	2	•
Flexible shelf positions	•	•	•	•	•	•	•	•
Full width transparent salad bin	•	•	•	•	•	•	•	•
Interior light	LED	•	•	•	•	•	•	•
Egg tray	•	•	•	•	•	•	•	•
<b>FREEZER FEATURES</b>								
Defrost - freezer	•	Frost Free	manual	•	manual	manual	•	manual
Electronic temperature controls	•	Touch control	•	•	•	•	•	•
Adjustable thermostat coin/knob	•	•	•	•	Knob	•	•	Knob
On LED (Green)	•	•	•	•	•	•	•	•
Quick Freeze Function with timed auto switch off	•	•	•	•	•	•	•	•
Fast freeze LED (Yellow)	•	•	•	•	•	•	•	•
High temperature warning LED (Red)	•	•	•	•	•	•	•	•
High temperature warning audible buzzer	•	•	•	•	•	•	•	•
Door open warning audible buzzer	•	•	•	•	•	•	•	•
Freezer compartments (flap/drawers)	•	2/5	1/0	•	1/3	1/0	•	0/4
Transparent freezer compartments	•	•	•	•	•	•	•	•
Freezer calendar	•	•	•	•	•	•	•	•
Ice scraper	•	•	•	•	•	•	•	•
<b>OTHER FEATURES</b>								
Adjustable feet	•	•	•	•	•	•	•	•
Reversible Doors	•	•	•	•	•	•	•	•
100% CFC free	•	•	•	•	•	•	•	•
100% HFC free	•	•	•	•	•	•	•	•
Matching fridge/freezer	ZBF22451SA	ZBA32050SA	•	ZBF11420SA	ZBA15020SA	ZQF11430DA	ZQA14030DA	ZQF11430DA
Gross capacity fridge litres (cu.ft)	323 (11.4)	•	198 (7.0)	147 (5.2)	•	105 (3.7)	140 (5.0)	•
Net capacity fridge litres (cu.ft)	319 (11.3)	•	193 (6.8)	146 (5.1)	•	100 (3.6)	136 (4.8)	•
Gross capacity freezer litres (cu.ft)	•	220 (7.8)	17 (0.6)	•	110 (3.9)	17 (0.6)	•	108 (3.8)
Net capacity freezer litres (cu.ft)	•	210 (7.4)	17 (0.6)	•	94 (3.3)	17 (0.6)	•	98 (3.5)
Frozen food rating	•	4 star	4 star	•	4 star	4 star	•	4 star
<b>PERFORMANCE</b>								
Annual energy consumption (kWh) 2)	143	308	236	123	110	184	124	198
Energy efficiency class	A+	A+	A+	A+	A+	A+	A+	A+
Energy efficiency index (%)	41.68	41.9	43.8	41.8	43.9	43.8	43.8	43.8
Climate class	SN-ST	SN-T	SN-ST	SN-T	SN-T	SN-ST	SN-ST	SN-ST
Noise (dB (A))	33	39	36	38	36	40	36	38
Freezing capacity (kg/24hr)	•	20	2	N/A	16	2.5	N/A	18
Power cut safe rising time (hr)	•	24	12	N/A	20	13	N/A	29
Minimum ambient temperature (°C)	10	10	10	10	10	10	10	10
<b>ELECTRICAL CONNECTION</b>								
Connected load Watts	120	150	160	80	100	110	120	130
Fuse rating A	13	13	13	13	13	13	13	13
<b>PRODUCT DIMENSIONS</b>								
Height x Width x Depth (mm)	1772 x 547 x 547	1772 x 547 x 547	1218 x 540 x 549	873 x 540 x 549	873 x 540 x 547	815/868 x 596 x 550	815/868 x 596 x 550	815/868 x 596 x 550
Net Weight (kg)	59.5	60.0	43.0	31.0	33.5	37.0	34.0	38.0
<b>BUILT-IN DIMENSIONS</b>								
Height x Width x Depth (mm)	1780 x 560 x 550	1780 x 560 x 550	1225 x 560 x 550	880 x 560 x 550	880 x 560 x 550	820/870 x 600 x 550	820/870 x 600 x 550	820/870 x 600 x 550
Door Fixing	Slider	Slider	Slider	Slider	Slider	Door on door	Door on door	Door on door
<b>PACKAGING INFORMATION</b>								
Height x Width x Depth (mm)	1840 x 590 x 600	1840 x 590 x 600	1300 x 590 x 600	925 x 586 x 630	960 x 600 x 620	880 x 640 x 620	880 x 640 x 620	880 x 640 x 620
Gross Weight (kg)	61.5	62.0	44.5	32.0	62.0	38.0	35.0	39.0
<b>LITERATURE SUPPLIED</b>								
Operation and instruction manuals	•	•	•	•	•	•	•	•

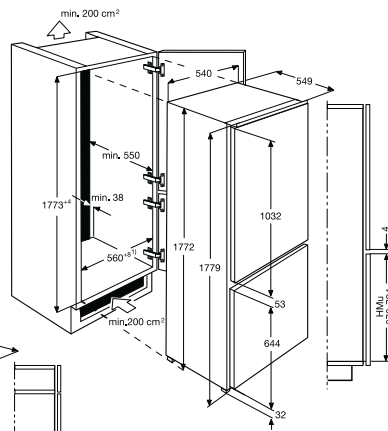
1) Energy efficiency class based on a scale of A+ (most efficient) to G (least efficient)  
 2) Based on standard test results for 24 hours in accordance with EN153. Actual consumption will depend on how the appliance is used and where it is located  
 3) Time for food temperature to rise from -18°C to -9°C with the power off and the door remaining closed  
 4) Climate class - the product is suitable for use in ambient temperatures of SN: 10-32°C, N:16-32°C, ST: 18-38°C, T: 18-43°C

# COOLING: FRIDGE FREEZERS

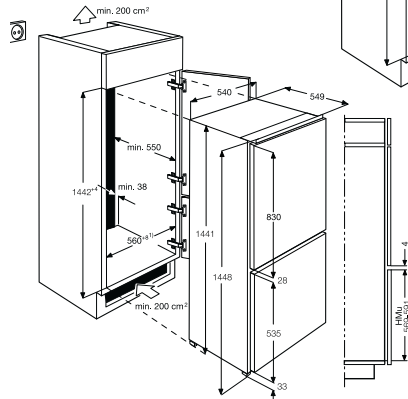
ZBB27650SA



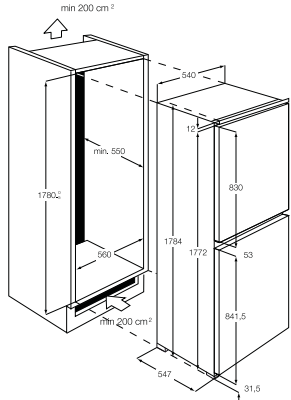
ZBB28650SA / ZBB28441SA



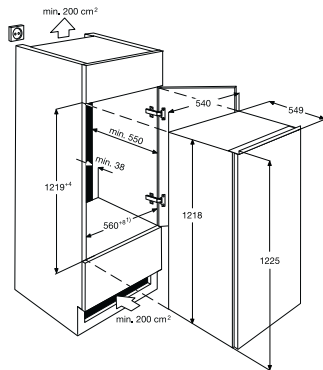
ZBB24430SA



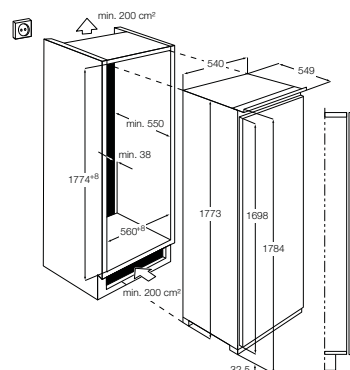
ZBB28440SA



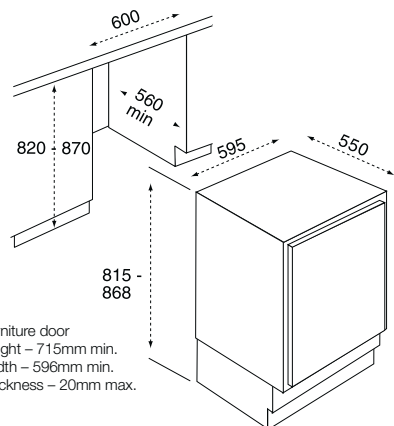
ZBA22420SA



ZBA32050SA / ZBF22451SA

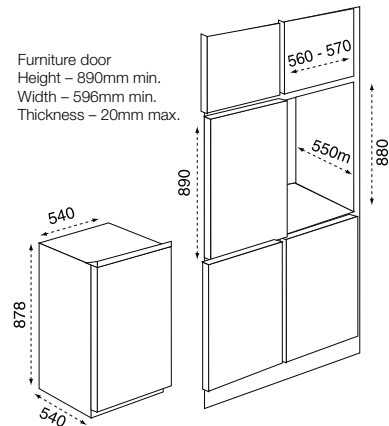


ZQA12430DA / ZQA14030DA / ZQF11430DA



Furniture door  
Height - 715mm min.  
Width - 596mm min.  
Thickness - 20mm max.

ZBA15021SA / ZBF11420SA



Furniture door  
Height - 890mm min.  
Width - 596mm min.  
Thickness - 20mm max.



COOLING



# EASY CLEANING

All our dishwashers have low water consumption, quiet noise levels and are either 'A+' or 'A' rated for energy efficiency. Available in a range of sizes to fit every space.

---

Full Size Dishwashers	105
Slim Dishwashers	108
Compact Dishwashers	110
How they compare	111

---

# DISHWASHERS MADE EASY.



## PICKING THE RIGHT SOLUTION

### FOR EVERY NEED

#### Can a dishwasher be concealed?

Yes, with our fully-integrated models. Just pull down the full-height furniture door to reveal the controls along the top edge.

#### Is it possible to always see the dishwasher controls?

With our semi-integrated models, the control panel is visible, and the design aligns with our oven's control panel.

#### What is fully integrated?

The dishwasher is hidden behind a full height furniture door and operated by controls on the top edge of the dishwasher door.

#### What is semi integrated?

The dishwasher has a visible control panel, which matches in height to the control panel of the oven and drawer line furniture. A short furniture door is fixed below the control panel.

#### What's best where space is limited?

Our slim-size dishwasher is just 45cm wide, fitting into the tightest of spaces.



## SAVING TIME REDUCING BILLS

### CONVENIENT AND EFFICIENT

#### Is there a quick programme?

Yes, our 30-minute wash cycle at 65°C will take care of used crockery after an evening meal for a family of four.

#### Is there an option to delay the wash?

Yes, with 'Set & Go'. So you can take advantage of night energy rates.



## EFFORTLESS CLEANING

### SMART FEATURES

#### Can it handle every job?

There are useful programmes and features to suit a variety of needs. 'Rinse and Hold' is ideal for pre-washing your dishes, until the dishwasher is fully loaded. 'Intensive Care' gets even the dirtiest pots and pans ultra-clean. For safe, sparkling results, use the 'Special Glass' cycle and, for flexible loading, there are foldable cup shelves and plate racks.

#### Can it look after itself?

Yes, use an all-in-one detergent tablet for maximum convenience and you'll never have to worry about adding dishwasher salt or rinse aid.



## ENERGY EFFICIENT

Our new Quadro™ dishwashers have an A or A+ energy efficiency rating. Good news for the environment and your pocket.

# A GUIDE TO OUR CLEANING ICONS

What do the Zanussi cleaning appliances do and why? Here's your quick guide to our handy functions, safety features and energy ratings.

## WHAT TO LOOK OUT FOR...



**Fast.** Clever Zanussi features to get things done quicker.



**Handy.** The things you couldn't live without.



## FAST

1/2

### Auto Half Load

Zanussi know you don't always have time to wait for a full load, all our dishwashers are designed to automatically determine whether there is a full or half load and will adapt the water and energy accordingly.



### Active Drying

For the best drying results, active drying removes the steam leaving your dishes extra dry and sparkling clean.



### Quick 60°C Wash

This unique programme is perfect for people on the go. It washes all the freshly soiled crockery from an evening meal for a family of four in just 30 minutes and with a temperature of 65°C, you will get an 'A' rated wash performance. No need to compromise quality for time.



## HANDY



### Delay Start

Some Zanussi models feature a delay start option of up to 3, 6 or 9 hours allowing you to wash when it suits you.



### Rinse and hold

A feature on all Zanussi models, which is ideal for pre-washing items until the dishwasher is fully loaded.



## ZDT15006FA



The unique Quick Wash programme is perfect for people on the go. It washes all the freshly soiled crockery from an evening meal for a family of four in just 30 minutes and with a temperature of 65°C, you still get an A rated wash performance. No need to compromise on quality for time.

### Specifications

- Delay start option to finish dish wash at your most convenient time
- Capacity: 12 place settings
- Number of programmes: 5
- Number of temperatures: 4
- Auto half load
- Active Drying: Gives you a better drying result by condensing the steam, leaving your dishes sparkling clean and extra dry
- Economy 50°C
- Normal 65°C with pre-rinse
- Fixed plate rack
- Foldable cup shelves
- Rinse and hold
- Salt & rinse aid indicators
- 13 litres water consumption
- A+ class energy efficiency
- A class cleaning performance
- A class drying performance



For installation diagrams see page 113

## ZDT12002FA



The unique Quick Wash programme is perfect for people on the go. It washes all the freshly soiled crockery from an evening meal for a family of four in just 30 minutes and with a temperature of 65°C, you still get an A rated wash performance. No need to compromise on quality for time.

### Specifications

- Active Drying: Gives you a better drying result by condensing the steam, leaving your dishes sparkling clean and extra dry
- Capacity: 12 place settings
- Number of programmes: 5
- Number of temperatures: 3
- Half load option
- Economy 50°C
- Normal 65°C with pre-rinse
- Fixed plate rack
- Rinse and hold
- Salt indicator
- 14.3 litres water consumption
- A class cleaning performance
- A class drying performance



\* ZDT130011FA - New model from Autumn 2013. Specification as above with A+AA Energy rating.

For installation diagrams see page 113

## ZDT11001FA



The unique Quick Wash programme is perfect for people on the go. It washes all the freshly soiled crockery from an evening meal for a family of four in just 30 minutes and with a temperature of 65°C, you still get an A rated wash performance. No need to compromise on quality for time.

### Specifications

- Active Drying: Gives you a better drying result by condensing the steam, leaving your dishes sparkling clean and extra dry
- Intensive programme 70°C - in just 89 minutes
- Low energy consumption
- Capacity: 12 place settings
- Number of programmes: 5
- Number of temperatures: 3
- Economy 50°C
- Normal 65°C with pre-rinse
- Fixed plate rack
- Foldable cup shelves
- Rinse and hold
- Salt & rinse aid indicators
- A class energy efficiency
- A class cleaning performance
- A class drying performance
- Height adjustable upper basket

\* ZDT12011FA - New model from Autumn 2013. Specification as above with A+AA Energy rating.



## ZDV12001FA



At just 45cm in width, this super-slim dishwasher fits easily into most spaces, so even if room is limited, you can still avoid the washing up!

### Specifications

- Quick wash programme gives an A-rated wash performance in just 30 minutes!
- Intensive programme 70°C - in just 89 minutes
- Capacity: 9 place settings
- Number of programmes: 5
- Number of temperatures: 3
- Economy 50°C
- Normal 65°C with pre-rinse
- Fixed plate rack
- Foldable cup shelves
- Rinse and hold



## CLEANING: DISHWASHERS

### ZDI12001XA



The unique Quick Wash programme is perfect for people on the go. It washes all the freshly soiled crockery from an evening meal for a family of four in just 30 minutes and with a temperature of 65°C, you still get an A rated wash performance. No need to compromise on quality for time.

#### Specifications

- Intensive programme 70°C - in just 89 minutes
- Simple to use controls
- Capacity: 12 place settings
- Number of programmes: 5
- Delay start: 3 hrs
- Active drying
- Economy 50°C
- Normal 65°C with pre-rinse
- Fixed plate rack
- Foldable cup shelves
- Rinse and hold

\* ZDI12010XA - New model from Autumn 2013. Specification as above with A+AA Energy rating.



### ZSF2450S



Compact outside but spacious inside, this efficient dishwasher is perfect for small households.

#### Specifications

- Automatic programme
- Time delay
- Capacity: 6 place settings
- Number of programmes: 5
- Number of temperatures: 4
- Residual drying
- 3 digit display
- Automatic 45-70°C wash
- Economy 55°C
- Salt & rinse aid indicators
- Time remaining indicator

#### Colour Options

ZSF2450S - Silver  
ZSF2450 - White





# CLEANING: DISHWASHERS

Fully integrated



ZDT15006FA

Fully integrated



ZDT12002FA

FEATURES	ZDT15006FA	ZDT12002FA
Capacity (number of IEC place settings)	12	12
Electronic controls	•	•
LED programme progress indicator	•	•
End of programme alarm	•	•
Delay start	3/6/9/hr	
Salt refill indicator	•	•
Rinse and refill indicator	•	
Half load option		•
Number of programmes	5	5
Number of temperature options	3	3
INTERIOR		
Upper basket height	Adjustable full load	Adjustable
Cup shelves	4 plastic	4 plastic
Lower basket plate racks	Fixed	Fixed
Cutlery basket	•	•
Automatic rinse aid dispenser / Automatic detergent dispenser	•/•	•/•
Drying	Active drying	Active drying
Stainless steel interior	•	•
INSTALLATION FEATURES		
Water pressure min / max bar	0.5 - 8.0	0.5 - 8.0
Water pressure min / max Mpa	0.05 - 0.8	0.05 - 0.8
Worktop steam protection	•	•
Top & side fixing brackets	•	•
Recessed plinth	•	•
Feet-3 (front adjustment block)	•	•
PERFORMANCE		
Declared Programme	ECO 50	ECO 50
Energy efficiency class	A+	A
Energy efficiency index	62.3	67.3
Annual energy consumption kWh	288	311
Annual water consumption litres	3475	4005
Energy consumption kWh	1.01	1.08
Water consumption litres	12.4	14.3
Drying performance	A	A
Maximum noise level dB(A) re 1pw	49	51
Cleaning performance	A	A
Programme time mins	155	135
Stand-by power (W)	0.99	1.9
Off mode power (W)	0.1	0.1
Left-on mode power (W)	N/A	N/A
ELECTRIC CONNECTION		
Connected load KW / Fuse rating A	2.2/13	2.2/13
APPLIANCE DIMENSIONS		
Height / Width / Depth (mm)	818/596/555	818/596/555
BUILT-IN DIMENSIONS		
Height / Width / Depth (mm)	820-880/600/570	820-880/600/570
FURNITURE DOOR DIMENSIONS		
Height / width (mm)	645-720/596	645-720/596
Weight (kg)	2 - 10	2 - 10

## Notes

All models cold water fill

- 1) Energy consumption is stated in kWh per standard test cycle, using cold water fill. Actual consumption will depend on how the appliance is used.
- 2) Estimated annual consumption based on 220 washing cycles.
- 3) Models with an 'A' rated classification offer a higher performance than those with a 'G' rating.
- 4) Time taken for a standard test cycle, using cold water fill.

\* ZDT130011FA -  
New model from Autumn 2013. Specification as above with A+AA Energy rating.

Fully integrated



ZDT11001FA

Semi integrated



ZDI12001XA

Slim Width



ZDV12001FA

Compact



ZSF2450

Compact



ZSF2450S

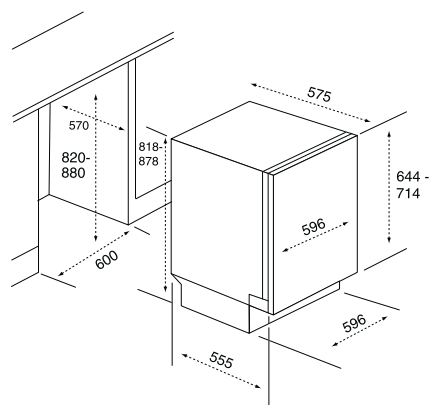
ZDT11001FA	ZDI12001XA	ZDV12001FA	ZSF2450	ZSF2450S
12	12	9	6	6
•	•	•	•	•
•	•	•	•	•
•	•	•	•	•
	3hr			
•	•	•	•	•
5	5	5	5	5
3	3	3	4	4
Adjustable	Adjustable	Adjustable		
4 plastic	4 plastic	1 wire + 2 plastic	2	2
Fixed	Fixed	Fixed		
•	•	•	•	•
•/•	•/•	•/•	•/•	•/•
Active drying	Active drying	Active drying	Residual	Residual
•	•	•		
0.5 - 8.0	0.5 - 8.0	0.5 - 8.0	0.8 - 10	0.8 - 10
0.05 - 0.8	0.05 - 0.8	0.05 - 0.8	0.08 - 1.0	0.08 - 1.0
•	•	•		
•	•	•		
•	•	•		
•	•	•		
ECO 50	ECO 50	ECO 50	ECO 50 with Prerinse	ECO 50 with Prerinse
A	A	A	A	A
67.3	67.3	70.6	67.8	67.8
311	311	249	188	188
4005	4005	3640	2100	2100
1.08	1.08	0.86	0.64	0.64
14.3	14.3	13	7.5	7.5
A	A	A	B	B
53	51	53	48	48
A	A	A	A	A
135	135	123	160	160
1.9	1.9	1.9	1.9	1.9
0.1	0.1	0.1	0.1	0.1
N/A	N/A	1.9	1.9	1.9
2.2/13	2.2/13	2.2/13	1.08/13	1.08/13
818/596/555	818/596/575	818/446/550	447/545/480	447/545/480
820-880/600/570	820-880/600/570	820-900/450/570		
645-720/596	528-598/600	644-720/446		
2 - 10	2 - 10	1.5 - 6		

\* ZDT12011FA -  
New model from Autumn 2013. Specification as above with A+AA Energy rating.

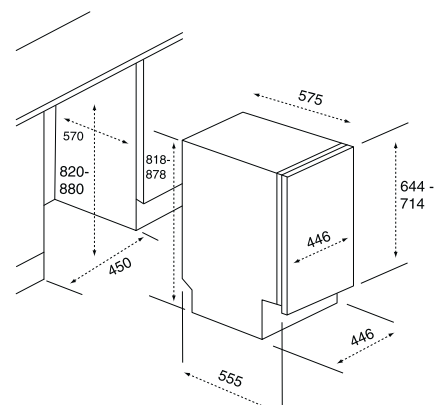
\* ZDI12010XA -  
New model from Autumn 2013. Specification as above with A+AA Energy rating.

# CLEANING: DISHWASHERS

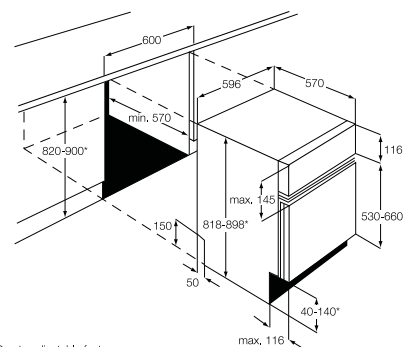
ZDT15006FA / ZDT12002FA / ZDT11001FA



ZDV12001FA



ZDI12001XA



\* Due to adjustable feet  
plinth height, if appliance height 820, 40-140 mm  
plinth height, if appliance height 900, 100-200





# EASY WASHING

---

Zanussi offers you a range of washing machines and washer dryers that can help you get great results, with less time and effort.

---

Washing Machines	121
Washer Dryers	122
How they compare	123

---

# WASHING MADE EASY.



## BIG WASH AND BUILT-IN

### LARGE CAPACITY MODELS

**How much will they wash in one go?**  
All our built-in machines have an extra-large capacity drum of 7kg, large enough to wash a double size duvet.

**Can the appliance be integrated seamlessly?**  
Yes, and while your machine fits snugly into your kitchen, you get maximum performance.

**Is there a washer-dryer that can clean a large load?**  
Yes, our space-saving model is a standard built-in size, but can wash 7kg loads and also dry items weighing up to 4kg.



## GREAT PERFORMANCE

All our washing machines are rated A++, the highest grade possible in this category—among the highest energy grades possible for built-in washing machines out there.



## SAVING YOU TIME

### HANDY PROGRAMMES

**Is it possible to speed up laundry chores?**  
Yes, you can cut laundry time in half with our Quick Wash program, whether you're cleaning cottons, synthetics or delicates.

**What about an outfit needed in a hurry?**  
Our 30-minute program refreshes up to three lightly worn items in just half an hour at 30°C.

**Can the machine be set to run later?**  
Yes, whenever best suits you with Set&Go. Your laundry appliance will start the cycle all by itself, after the time delay you request.



## EFFORTLESS WASHING

### TOTAL CARE

**Is there a way to get clothes feeling really soft?**  
Yes, there's an extra-rinse option, ideal for sensitive skin. This cycle removes the vast majority of detergent from your load, so you always have super-soft, clean laundry.

**Can it truly cut down on the ironing?**  
Yes, just select the 'easy iron' programme, which reduces creases.

# A GUIDE TO OUR LAUNDRY ICONS

What do the Zanussi laundry appliances do and why? Here's your quick guide to our handy functions, safety features and energy ratings.



## FAST



### Easy Iron

By keeping your wash load moving and using a cool down phase with cold water, this programme protects delicates and synthetic fabrics from developing permanent creases.



### Mini 30

Ideal for once worn clothes or clothes you need in a hurry. Washes up to 13 items, in 30 minutes at 30°C.



### Prewash

For extra dirty clothes, to loosen dirt and remove prior to the main wash.



### Super Quick

Select a shorter time, by pressing the quick wash option.



### Different Spin Speed

Higher spin speeds remove larger amounts of water out of the clothes. Every 200rpm increase in spin speed means 10 minutes less time tumble drying.



## HANDY



### 7+5kg

Wash and dry capacity. With large wash to dry capacity, you can now conveniently wash & dry continuously without having to remove excess clothes after washing and before you start drying.



### Handwash

For handwash only label items. This is an extremely gentle programme.



### Delay Start

Some Zanussi machines feature a Delay Start option, meaning you can wash when it suits you.



### Rinse Hold

Suspends the laundry in the final rinse water until a convenient time for spinning, reducing creases and saving time.

## WHAT TO LOOK OUT FOR...



**Fast.** Clever Zanussi features to get things done quicker.



**Handy.** The things you couldn't live without.



**Simple.** The touches that make Zanussi so easy to use.



**Smart.** Practical solutions from great Zanussi thinking.



## SIMPLE



### LCD Display

The stylish bright LCD display provides you with real time information about the various options selected and the progress of your wash.



### Wool

This programme reduces the drum rotation so that clothes are gently and consistently moved in the water to reduce stretching and matting of delicate fabrics and woolsens.



### Silk

Designed for silk items, this is a very gentle wash load for up to 1kg. The laundry is gently spun for a short time at the end of the programme.



### BA

B is the energy rating and A is the wash performance rating.



### FlexiDose

Our washer range comes with a new FlexiDose option which gives you the flexibility to either use powder or liquid in the same detergent compartment to get that perfect wash result. No need to dispense liquid detergents differently.



## SMART



### Inverter Motor

The powerful brushless motor is not only designed to be silent and more durable but can also drive large loads at higher speeds for a longer time, giving a powerful wash performance in shorter wash times.



### Jetsystem

The Jetsystem wash technology directs water straight into the heart of the laundry and automatically adjusts the amount of water and energy used based on the amount of clothes put in - saving you money!



### Jetsystem+

You can now wash 1 item as effectively as a full load, saving you time, energy and money



### A-10% Energy Performance

Energy rating for a washer is 10% better than energy efficiency class A.



### Extra Rinse Option

Your Zanussi machine now incorporates foam suppression technology which adds additional rinse in case of over dosage of detergent.

## WASHING: WASHING MACHINES AND WASHER DRYERS



### ZWI71201WA



Best in class energy efficiency of A+++ which is 20% more energy efficient than an A class machine, helping you save more money.

#### Specifications

- 7kg capacity
- 1200 spin speed
- A+++ energy efficiency
- LCD display
- Delay start option
- Mini 30
- Programmes include: Handwash and Wool
- Options to tailor programmes include: Prewash, Extra rinse, Super quick and Economy



### ZWI71401WA



Best in class energy efficiency of A+++ which is 20% more energy efficient than an A class machine, helping you save more money.

#### Specifications

- 7kg capacity
- 1400 spin speed
- A+++ energy efficiency
- LCD display
- Delay start option
- Mini 30
- Programmes include: Handwash and Wool
- Options to tailor programmes include: Prewash, Extra rinse, Super quick and Economy

For installation diagrams see page 124

For installation diagrams see page 124



### ZWT71201WA



Built-in washer dryer for washing and drying with one appliance. The easy iron programme does most of the work for you by helping keep your clothes wrinkle-free.

#### Specifications

- 7kg wash capacity
- 4kg drying capacity
- 1200 spin speed
- A class wash performance
- LCD display
- Delay start option
- Programmes include: Quickwash, Handwash, Cotton, Synthetic and Dry
- Option to tailor programmes include: Delay start, Super quick and Extra rinse
- Drying time

For installation diagrams see page 124



### ZWT71401WA



Built-in washer dryer for washing and drying with one appliance. The easy iron programme does most of the work for you by helping keep your clothes wrinkle-free.

#### Specifications

- 7kg wash capacity
- 4kg drying capacity
- 1400 spin speed
- A class wash performance
- LCD display
- Delay start option
- Programmes include: Quickwash, Handwash, Cotton, Synthetic and Dry
- Options to tailor programmes include: Delay start and Extra rinse
- Drying time

For installation diagrams see page 124

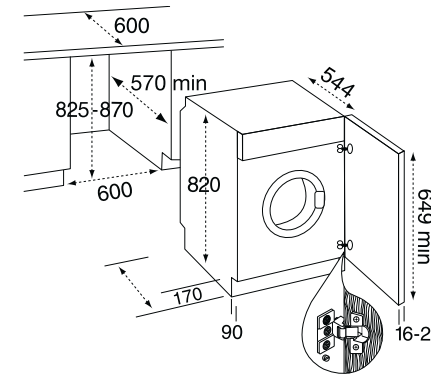
# WASHING: WASHING MACHINES AND WASHER DRYERS



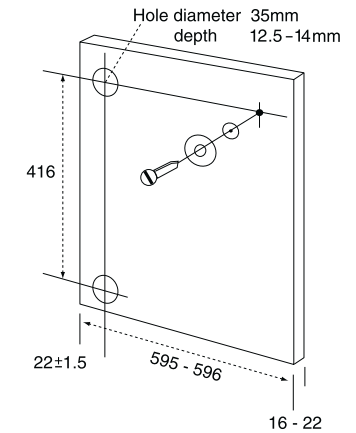
Washing Machines: ZWI71201WA, ZWI71401WA; Washer Dryers: ZWT71201WA, ZWT71401WA

FEATURES	ZWI71201WA	ZWI71401WA	ZWT71201WA	ZWT71401WA
Wash system	Aqua cycle	Aqua cycle	Aqua cycle	Aqua cycle
Wash capacity (kg)	7	7	7	7
Drying capacity (kg)			4	4
CONTROLS				
LCD display	•	•	•	•
Electronic controls	•	•	•	•
Rotary controls	•	•	•	•
Push buttons	7	7	7	7
Delay timer (hours)	20	20	20	20
PROGRAMMES				
Cottons	•	•	•	•
Cotton prewash			•	•
Synthetics	•	•	•	•
Delicates	•	•	•	•
Wool	•	•		
Handwash	•	•	•	•
Jeans			•	•
Cold wash			•	•
Drying programme			•	•
OPTIONS				
Quick wash	•	•	•	•
Spin speed reduction/rinse hold	•	•	•	•
Prewash	•	•		
Extra Rinse	•	•	•	•
Economy	•	•	•	•
Easy iron	•	•	•	•
Drying time			•	•
PERFORMANCE				
Declared programmes	Std cotton 60 half & full load/Std cotton 40 half load	Std cotton 60 half & full load/Std cotton 60 half load	Std cottons 60	Std cottons 60
Energy efficiency class	A++	A++	C	B
Energy efficiency index	49,6	49,6		
Spin drying efficiency label	B	B		
Annual energy consumption (kWh)	190	190	1302	1134
Annual water consumption (litres)	10469	10460	25000	19800
Maximum spin speed (rpm)	1200	1400	1200	1400
Washing noise level (dB(A) re 1pw)	56	56	56	56
Spin noise level (dB(A) re 1pw)	72	74	72	74
Drying noise level (dB(A) re 1pw)			62	62
Residual humidity (%)	53	52		
Stand-by power (W)	1.9	1.9	1.9	1.9
Off mode power (W)	0.1	0.1	0.1	0.1
Left-on mode power (W)	1.6	1.6	N/A	N/A
Left-on mode duration (Min)	5	5	N/A	N/A
Washing performance	A	A	A	A
Energy consumption (kWh)			6,51	5,67
Water consumption (litres)			125	99
Water extraction efficiency			54	52
ELECTRICAL AND WATER CONNECTION				
Voltage/Frequency Volts/Hz	240/50	240/50	240/50	240/50
Connected load (Watts)	2050	2050	2050	2050
Fuse rating A	13	13	13	13
Water fill	Cold	Cold	Cold	Cold
APPLIANCE DIMENSIONS				
Height x Width x Depth (mm)	820 x 600 x 544	820 x 600 x 544	820 x 600 x 544	820 x 600 x 544
Net weight (kg)	60,4	60,4	68,4	68,4
BUILT-IN DIMENSIONS				
Height x Width x Depth (mm)	825 x 600 x 600	825 x 600 x 600	825 x 600 x 600	825 x 600 x 600

ZWI71201WA / ZWI71401WA / ZWT71401WA / ZWT71201WA



ZWI71201WA / ZWI71401WA / ZWT71401WA / ZWT71201WA



## NOTES

\* PD10 kit for 50mm extra height - optional extra

- 1) Models with an 'A' rated classification offer a higher performance than those with a 'G' rating
- 2) Based on standard test results for 60°C cotton cycle
- 3) Based on standard test results for 60°C cotton cycle and 'dry cotton' drying cycle
- 4) Average annual consumption for a 4 person household based on 200 standard 60°C cotton cycles, never using the dryer
- 5) Average annual consumption for a 4 person household based on 200 standard 60°C cotton cycles, always using the dryer

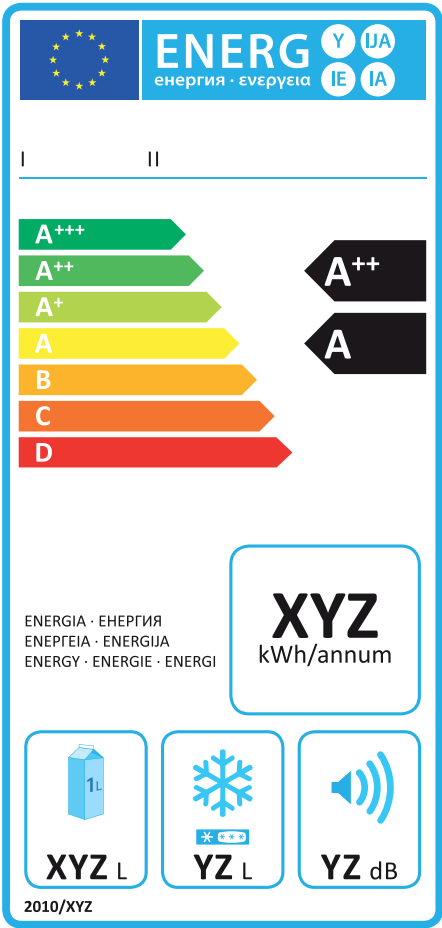
# ENERGY: EFFICIENCY

## EU ENERGY EFFICIENCY INFORMATION

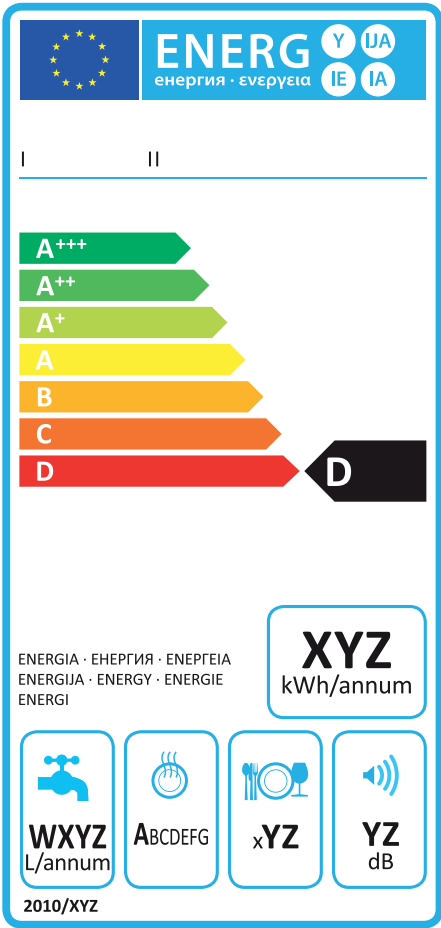
This scheme, which covers refrigerators, freezers, washing machines, tumble dryers, dishwashers and electric ovens is designed to offer consumers a standardised method of choosing the most energy efficient appliances. For refrigerators and freezers, as well as stating the energy efficiency class (A+++ - most efficient, 'D' - least efficient) the label also gives the annual electricity consumption (i.e. running cost) freezing capacity, noise level and the usable storage capacity.

For dishwashers the label states energy efficiency, water consumption, drying level, place settings and noise level.

For electric ovens the label also states the energy consumption (in kWh) and the usable volume of the oven. If the oven is a double oven it will carry this information for both ovens.



Example of refrigeration energy label.



Example of dishwasher energy label.





## EASY TIPS

Follow #EasyTeam for tips to make your life easier!

🐦 [Twitter.com/zanussi\\_uk](https://twitter.com/zanussi_uk)

📘 [Facebook.com/ZanussiAppliances](https://facebook.com/ZanussiAppliances)

Electrolux Major Appliances  
Addington Way, Luton  
Bedfordshire LU4 9QQ  
Telephone: 08445 612 612  
Registered in England No. 2331516

Electrolux Ireland  
Long Mile Road  
Dublin 12  
Telephone: 00 35 3140 90750  
Registered in Ireland No. 9118

### **More information? Easy.**

For everything you need to know about the range from Zanussi, simply take a look at our website:

**[www.zanussi.co.uk](http://www.zanussi.co.uk)**

Dealer stamp

**ZANUSSI**